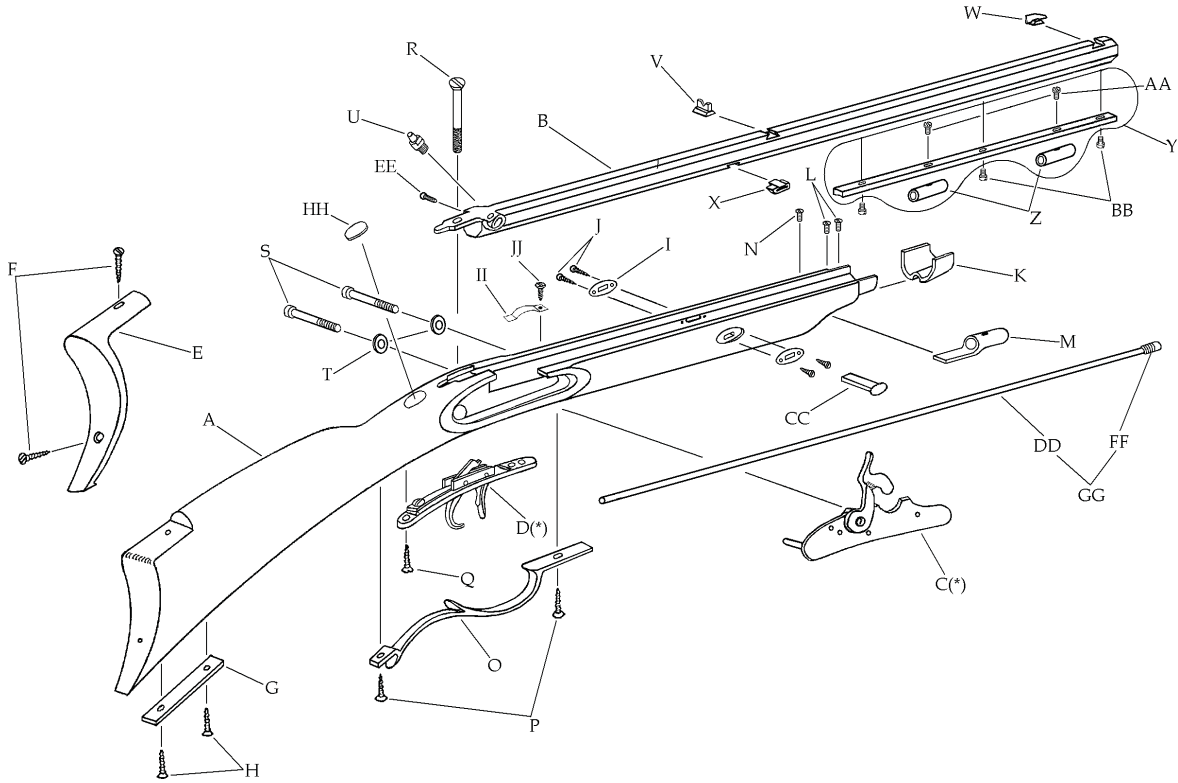


**- Davy Crockett Rifle -**  
**Models: R-26128101**  
 .32 cal. Perc. 1-48"  
 Blued Barrel

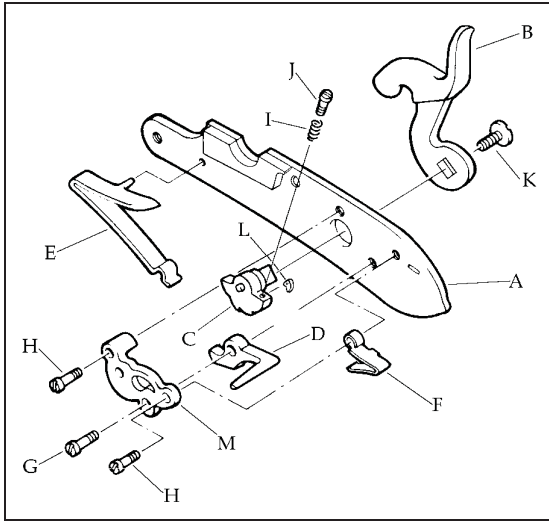


Description	Reference	Description	Reference
A Stock Beech (Finished).....	FCS2612801	R Tang Screw.....	12609
B Barrel Assembly (Kit) .32 cal. perc. (twist 1-48").....	C-261281	S Lock Plate Screw (2).....	20120
Barrel Assembly Blued (Finished) .32 cal. perc. (twist 1-48").....	FB261281	T Lock Plate Washer (2).....	20619
C Percussion Lock.....	12503	U Nipple Percussion Only.....	20608
D Trigger Assembly.....	20622R	V Rear Sight.....	20210
E Butt Plate (Brass).....	26226	W Front Sight (Brass Blade).....	36011
F Butt Plate Screw (2).....	20627	X Barrel Tenon.....	20533
G Toe Plate (Brass).....	30031	Y Barrel Rib Assembly.....	FR26012
H Toe Plate Screw (2).....	20624	Z Ramrod Thimble (2) (Brass).....	26213
I Wedge Plate (Brass) (2).....	20616L	AA Ramrod Thimble Screw (2).....	20614
J Wedge Plate Screw (4).....	20617	BB Barrel Rib Screw (3).....	20614
K Nose Cap (Brass).....	26215	CC Wedge.....	11418
L Nose Cap Screw (2).....	20214	DD Ramrod (Aluminum).....	260030
M Rear Ramrod Thimble (Brass).....	26214	EE Tang Screw (Side).....	M131041
N Rear Ramrod Thimble Screw.....	20839	FF Ramrod Tip .32 cal.....	26028
O Trigger Guard (Brass).....	26223	GG Ramrod Assembly.....	1396
P Trigger Guard Screw (2).....	20624	HH Oval (Brass).....	26209
Q Trigger Screw.....	20624	II Ramrod Retaining Spring.....	400030
		JJ Ramrod Retaining Spring Screw.....	400024

(\*) Exploded view at the reverse.

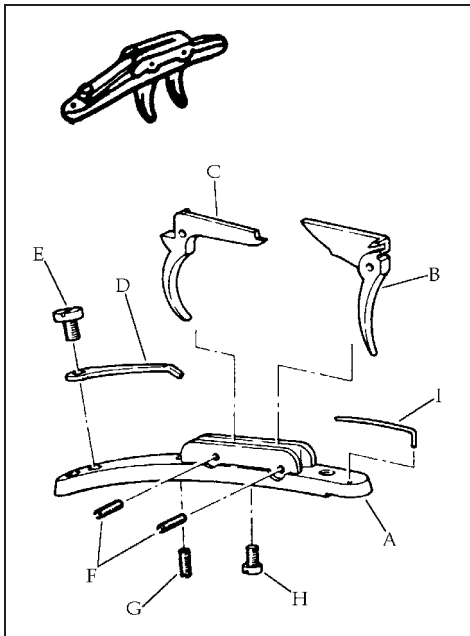
# TRADITIONS™

## Percussion Lock Assembly - Ref. 12503



Description	Reference
A Lock Plate.....	70401
B Hammer.....	70602
C Tumbler.....	70603
D Sear.....	70504
E Mainspring.....	45071
F Sear Spring.....	70506
G Sear Screw.....	70514
H Sear Spring & Bridle Screw (2).....	70515
I Sear Adjusting Screw Spring.....	70520
J Sear Adjusting Screw.....	70518
K Hammer Screw.....	75512P
L Fly.....	70611
M Bridle.....	70508

## Trigger Assembly - Ref. 20622R



Description	Reference
A Trigger Plate.....	60601R
B Front Trigger.....	60602
C Rear Trigger.....	60603
D Rear Spring.....	60604R
E Rear Spring Screw.....	60606
F Trigger Pin (2).....	60609
G Rear Trigger Adjustment Screw.....	60608
H Front Trigger Adjustment Screw.....	60607
I Front Spring.....	60605