

- Kentucky Rifle -

Models:

Finished

Kit

R-2010
.50 cal. flint. 1-66"
Blued Barrel

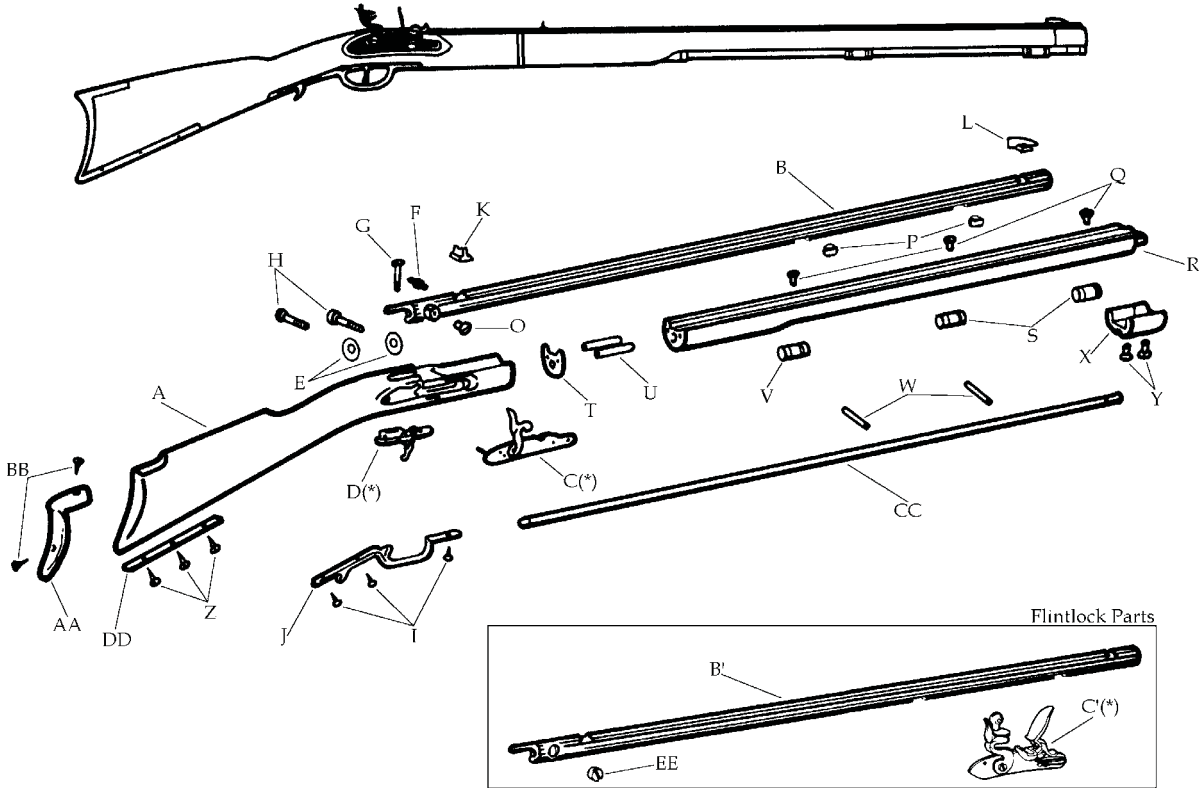
R-2020
.50 cal. perc. 1-66"
Blued Barrel

R-2025
.45 cal. perc. 1-66"
Blued Barrel

KR-5210
.50 cal. flint. 1-66"
Blued Barrel

R-5220
.50 cal. perc. 1-66"
Blued Barrel

KR-5225
.45 cal. perc. 1-66"
Blued Barrel

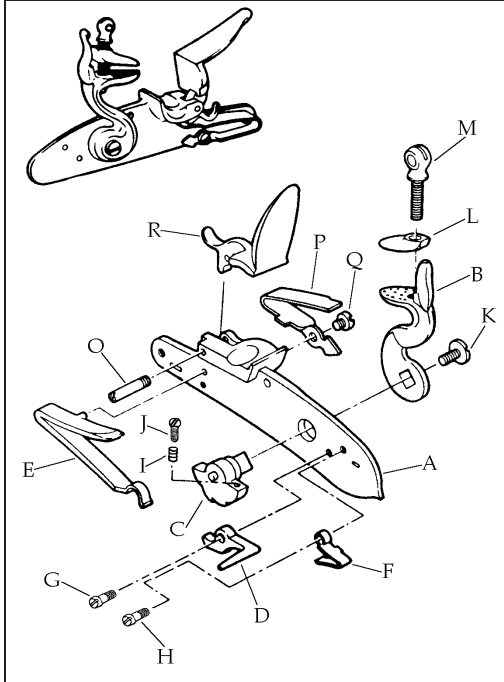


Description	Reference	Description	Reference
A Buttstock (Beech) (kit).....	K-20201-1	J Trigger Guard (Brass).....	20223
Buttstock Flintlock (Beech) (Finished).....	FCS20101-1	K Rear Sight.....	20210
Buttstock Percussion (Beech) (Finished).....	FCS20201-1	L Front Sight.....	36011
B Barrel Assembly (Kit) (Length 33 1/2")		O Bolster Screw -Percussion Only.....	20605
.45 cal. perc. (twist 1-66").....	C-202025	P Barrel Tenon (2).....	20233
.50 cal. perc. (twist 1-66").....	C-202020	Q Ramrod Thimble Screw (3).....	20214
Barrel Assembly Blued (Finished) (Length 33 1/2")		R Forestock (Beech) (Kit).....	K-20201-2
.45 cal. perc. (twist 1-66").....	FB202025	Forestock (Beech) (Finished).....	FCS20201-2
.50 cal. perc. (twist 1-66").....	FB202020	S Front & Middle Thimble (2).....	20213-A
B' Barrel Assembly (Kit) (Length 33 1/2")		T Stock Joining Plate.....	20207
.50 cal. flint. (twist 1-66").....	C-201020	U Stock Joining Pin (2).....	20212
Barrel Assembly Blued (Finished) (Length 33 1/2")		V Rear Thimble.....	20213-B
.50 cal. flint. (twist 1-66").....	FB201020	W Barrel Tenon Pin. (2).....	20218
C Percussion Lock.....	20203	X Nose Cap (Brass).....	20215
C' Flintlock.....	20103	Y Nose Cap Screw (2).....	20225
D Trigger Assembly.....	20222	Z Toe Plate Screw (3).....	20624
E Lock Plate Washer (2).....	20619	AA Butt Plate (Brass).....	20226
F Nipple Percussion Only.....	20608	BB Butt Plate Screw (2).....	20627
G Tang Screw.....	20609	CC Ramrod Assembly (Not Threaded).....	20228
H Lock Plate Screw (2).....	20220	DD Toe Plate (Brass).....	20231
I Trigger Guard Screw (3).....	20624	EE Touch Hole Insert -Flintlock Only.....	20534

(*) Exploded view at the reverse.

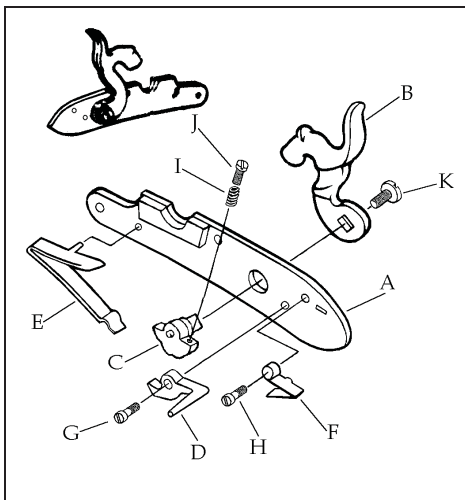
TRADITIONS™

Flintlock Assembly - Ref. 20103



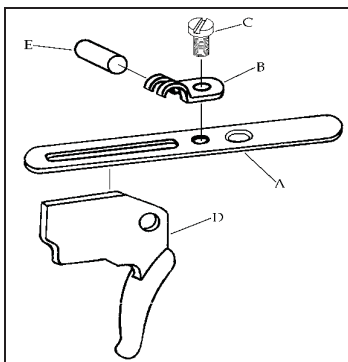
Description	Reference
A Lock Plate.....	70101
B Hammer.....	70502
C Tumbler.....	70603
D Sear.....	70504
E Mainspring.....	70505
F Sear Spring.....	70506
G Sear Screw.....	70514
H Sear Spring Screw.....	70121
I Sear Adjusting Screw Spring.....	70520
J Sear Adjusting Screw.....	70518
K Hammer Screw.....	75512P
L Top Jaw.....	70509
M Top Jaw Screw.....	70513L
O Frizzen Screw.....	70516
P Frizzen Spring.....	70519
Q Frizzen Spring Screw.....	70517
R Frizzen.....	70507

Percussion Lock Assembly - Ref. 20203



Description	Reference
A Lock Plate.....	70201
B Hammer.....	70602
C Tumbler.....	70603
D Sear.....	70504
E Mainspring.....	70505
F Sear Spring.....	70506
G Sear Screw.....	70514
H Sear Spring Screw.....	70121
I Sear Adjusting Screw Spring.....	70520
J Sear Adjusting Screw.....	70518
K Hammer Screw.....	75512P

Trigger Assembly - Ref. 20222



Description	Reference
A Trigger Plate.....	60401
B Trigger Bridge.....	60403
C Bridge Screw.....	60406
D Trigger.....	60402
E Pin.....	60404