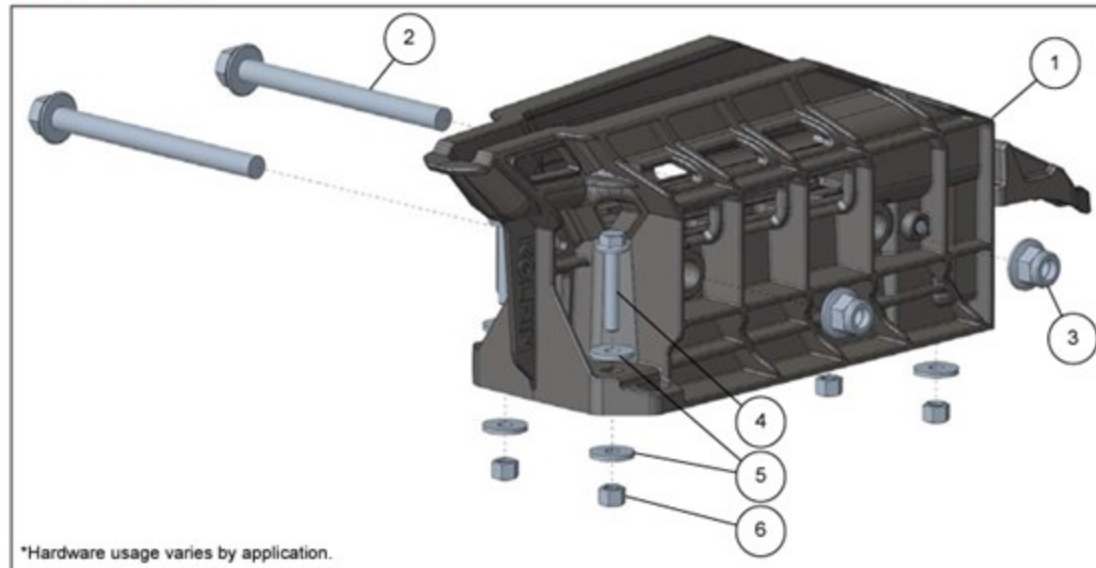


STRONGHOLD AUTO-LATCH

Product Instructions | Part No: 30816

KOLPIN
OUTDOORS

KIT CONTENTS



*Hardware usage varies by application.

REF	QTY	PART DESCRIPTION
1	1	Auto-Latch Bracket
2	2	M10 x 115mm Hex Bolt
3	2	M10 Locknut
4	4	M6 x 35mm Hex Bolt
5	8	M6 Washer
6	4	M6 Locknut