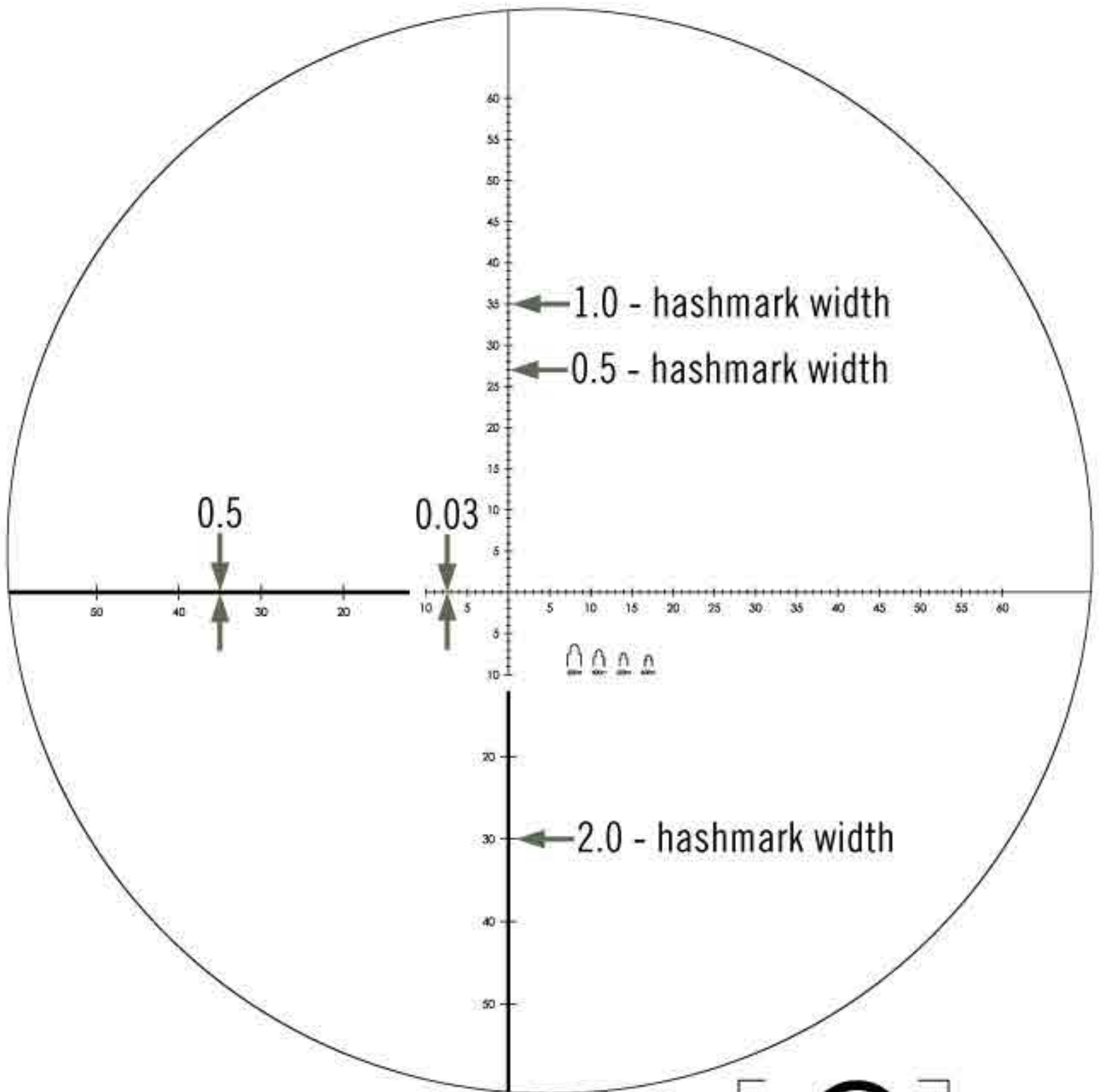
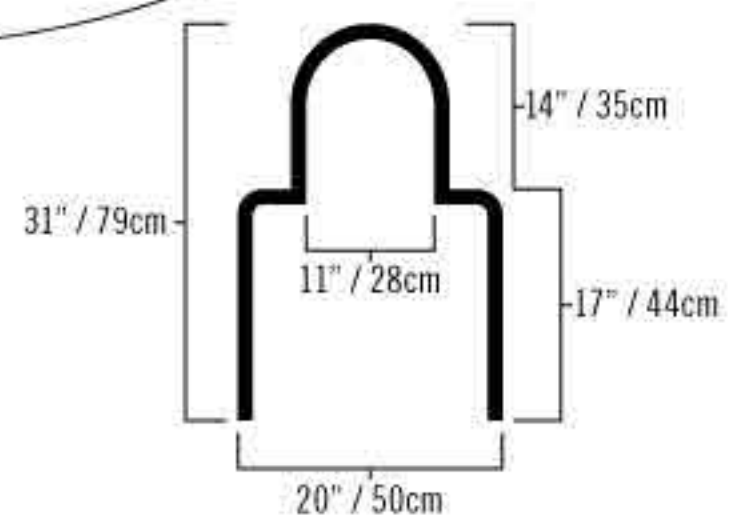
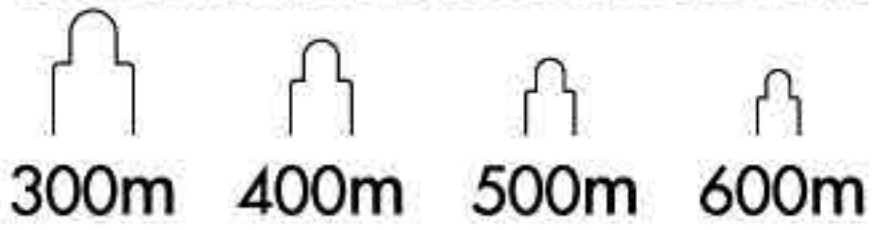


SOLO R/T RANGING Reticle Subtensions



QUICK RANGING SILHOUETTE MEASUREMENTS



....[NOTES]....

Subtensions measured in MRADs.
Reticle image shown for representation only.