

L. E. Wilson Inc.
PO Box 324
404 Pioneer Ave
Cashmere, WA 98815

www.lewilson.com
www.lewilsondirect.com

For product videos visit www.lewilson.com/productvideos.html

Email: customerservice@lewilson.com

Tools **WILSON** Gages
FOR ACCURATE UNIFORM HANDLOADS

Phone : 509-782-1328

Fax : 509-782-7200

-INSTRUCTIONS FOR USING THE WILSON CARTRIDGE CASE TRIMMER-

To save room, trimmers are boxed with the cutter and bearing assembly reversed.
To place in operating position, loosen the cutter bearing screw under the base
and turn cutter and bearing together 180 degrees. Tighten screw securely.

The trimmer is best held in a vise, or Trimmer Stand, which will hold it in proper position and high enough from bench for handle clearance. Cardboard or blotting paper will protect trimmer base from vise jaws. In setting the trimmer for correct case length the WILSON Cartridge Case Gage is recommended in those calibers for which it is furnished. The case trimmer should be adjusted to produce a case length, which will register flush with the lower step of this gage. In all other calibers adjust the trimmer according to the TABLE OF CARTRIDGE CASE LENGTHS furnished on the back. With a little practice you will develop considerable speed in putting cases through the trimmer. In our use of the tool the operations are done as follows.

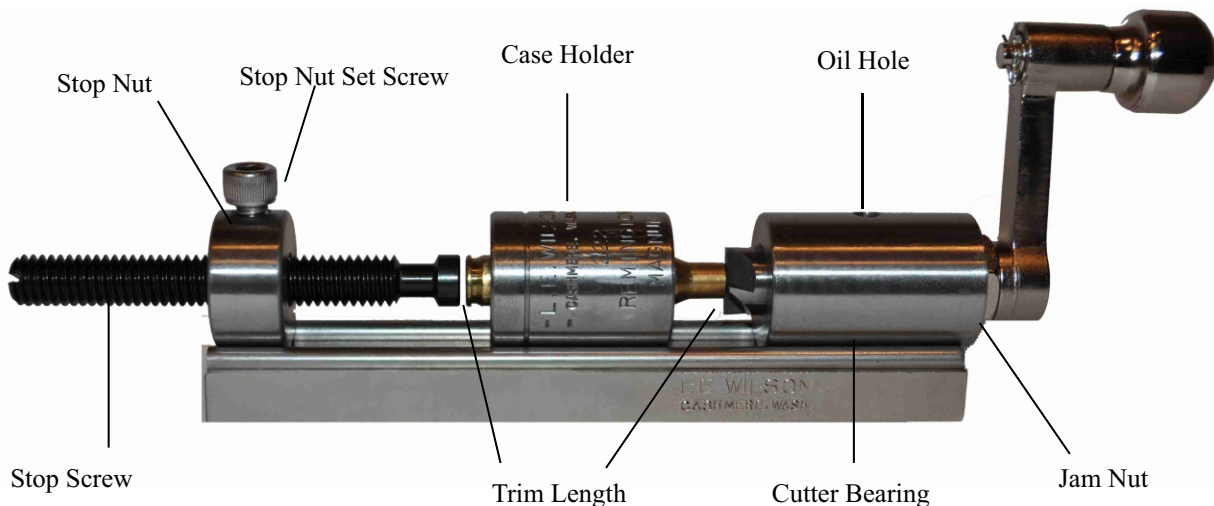
FIRST TIME SET UP PROCEDURE FOR TRIMMING RIFLE CALIBERS WITH TAPER

- 1) Loosen set screw on stop nut to allow the stop screw to move freely.
- 2) Drop case in case holder and tap head end on hardwood block or cork board.
NOTE: Case holders have a groove turned near head to indicate at a glance which end is the head end.
- 3) Back out stop screw enough to allow case to sit between cutter and stop.
- 4) Push cutter flush with cutter bearing. Jam nut should be touching cutter bearing.
- 5) Screw in stop screw until your case mouth is just touching the cutter. Tighten the set screw on the stop nut with the included 3/16 Hex wrench.
- 6) Hold firmly in trimmer with case head against stop screw and twirl cutter until it stops cutting.
- 7) Remove case by tapping mouth on same block.
- 8) Measure case length with case gage or calipers.
- 9) Make adjustments as necessary.

Each Full turn (360 Degrees) of the Stop Screw = .062". Half Turn = .031" Quarter Turn = .0155 on the Standard Case Trimmer.
50 Caliber Trimmer one Full Turn = .050", Half Turn = .025", Quarter Turn = .0125".

All trimmers are now made with a rake-tooth cutter. This cutter has the advantage over a straight-tooth cutter of cutting faster and with less pressure required and will be found superior for all purposes within reason. The cutter has been designed expressly for the job it has to do, which is to face off amounts from zero to about 1/32". If desired to face off larger amounts, as in cutting '06 brass back to 8mm length, it may be necessary to adjust the stop screw so that the material will be removed in more than one operation. By doing the job in steps the cutter is allowed to contact the stop often enough to steady the cut and prevent "grabbing".

Our hardened steel burring tool is a recommended accessory for this trimmer. It is used by hand to chamfer the inside of the case mouth and to re-move the sharp edge outside of the case mouth after trimming. One burring tool serves for all calibers from .22 to .45 inclusive.* The last burring operation done on one case should be the first done on the next. In this way you reverse ends with the burring tool just once for each case. The new standard burring tool serves for all calibers from .17 to .45. You may also add a 45 or 30 degree uniform deburring tool that works in place of the cutter for inside case mouth deburring.



LIMITED WARRANTY

All L.E. Wilson products are warranted against defective workmanship or materials under normal use for one year from the date of purchase. "Normal use" means as described in accompanying instructions. "Date of purchase" is for the first user of the product. The warranty applies only to the first user and does not cover consequential or incidental damages. If the user believes he has a defective tool he is asked to contact L.E. Wilson, Inc. P.O. Box 324 Cashmere, WA 98815 / 509-782-1328 describing the problem. The tool or part will be repaired or replaced at our option with no expense to the user except for correspondence costs. The part or tool must be accompanied by proof of purchase that shows source, date of purchase, and cost. All states have implied warranties created by law that apply to all consumers and most products so the above limitations and exclusions may not apply to you.

Cartridge Case Lengths

17 Remington	1.796	300 Savage	1.871	6mm International	1.912
17 Ack Hornet	1.403	30 Newton	2.520	6mm Vartarg Turbo	1.600
17 Mach IV	1.400	30 Remington	2.050	6mm BR Long	1.560
17 Rem Fireball	1.420	30 M-1 Carbine	1.290	22/6mm/30 BR Rem Short	1.520
20 TNT	1.700	300 WSM	2.100	6mm Dasher	1.555
20/22 Vartarg	1.400	7mm/300 RSAUM	2.015	6mm PPC	1.515
20/22 Vartarg Turbo	1.600	300 Ultra	2.850	6mm Rem	2.233
204 Ruger	1.850	300,243,223 WSSM	1.680	6mm XC	1.901
218 Bee	1.345	300 H&H	2.850	6x47	1.850
219 Donaldson	1.750	300 Win Mag	2.620	6x47 Lapua	1.855
219 Zipper	1.938	300 Wby Mag	2.825	6.5x47 Lapua	1.855
22 BR	1.520	30-06	2.494	6.5 Grendel	1.520
Std Lovell	1.625	303 British	2.222	6.5 Mannlicher	2.112
2-R Lovell	1.630	303 Savage	2.015	6.5x55 Norma	2.165
22 Savage	2.050	30-30	2.039	6.5 Rem Mag	2.170
22 Hornet	1.403	30-338	2.500	6.5 Creedmoor	1.920
17/20/22 PPC	1.510	30-40	2.314	6.8 SPC	1.685
22 Rem Jet	1.288	308 Win	2.015	7mm - 08	2.035
220 Swift	2.205	308 Norma Mag	2.559	7mm BR Rem	1.520
220 Arrow	2.205	32 Remington	2.050	7mm Exp Rem 280 Rem	2.540
220 Rocket	2.205	32 Win Special	2.040	7mm Mauser	2.235
221 Rem Fireball	1.400	32-20	1.315	7mm TCU	1.750
222 Rem Mag	1.850	32-40	2.130	7mm Rem Mag	2.500
222 Remington	1.700	33 Win	2.105	7mm Wby Mag	2.550
22-250	1.912	338 Lapua	2.724	7mm STW	2.850
22-250 Ackley	1.912	338 Win Mag	2.500	7mm WSM	2.100
223 Remington	1.760	340 Wby Mag	2.825	7mm IHMSA	1.861
224 Wby Mag	1.925	348 Win	2.255	7mm-08	2.035
225 Win	1.930	35 Win	2.415	7x61 S&H	2.402
240 Wby Mag	2.500	35 Remington	1.920	7.62 x 39	1.528
243 Win	2.045	35 Whelen	2.494	7.62 Russian	2.114
243 Ackley Imp.	2.045	350 Rem Mag	2.170	7.65 Belgian Mauser	2.105
243 Rockchucker	2.218	358 Win	2.015	8mm Mauser 8x57	2.240
6mm - 244 Rem	2.233	358 Norma Mag	2.520	8mm Rem Mag	2.850
25-20	1.330	375 H&H Mag	2.850		
25-35	2.043	375 Wby Mag	2.860	357 Mag	1.290
25 Remington	2.050	378 Wby Mag	2.913	357 Sig	0.865
250 Savage	1.912	38-40	1.305	38 Special	1.155
25-06	2.494	38-55	2.129	38 Super Auto	0.900
256 Win Mag	1.281	44-40	1.305	41 Mag	1.290
256 Newton	2.440	444 Marlin	2.225	44 Mag	1.285
257 Roberts	2.233	45-70	2.105	44 Special	1.160
257 Wby Mag	2.550	458 Win Mag	2.500	44 Russian	0.970
260 Remington	2.035	460 Wby Mag	2.913	45 Auto	0.898
264 Win Mag	2.500	50 BMG	3.915	45 Colt	1.285
270 Win	2.540			10mm	0.992
270 Wby Mag	2.550	300 AAC Blackout	1.368	9mm	0.752
270 WSM	2.100	375 Ruger	2.580		
280 Remington	2.540				
284 Win	2.170				

**Please note these are maximum lengths. Cases should be trimmed back when they reach or exceed these dimensions. We would suggest that your case trimmer be adjusted to produce a case length .010 under maximum. The lengths are over-all, including the rim, where the case has a rim.