

# SPRINGFIELD ARMORY®

# SA★35

## OPERATION & SAFETY MANUAL

### **IMPORTANT SAFETY INFORMATION INSIDE**

Read this manual before handling this firearm. Keep this manual with your firearm and review it before each use.

Do not allow others to handle or fire your firearm until they have read this manual.

Transfer this manual with the firearm upon ownership change.

**THIS MANUAL IS FOR SA-35 PISTOL.**

Be a responsible firearm owner. Use it safely, store it securely, and always transfer a firearm responsibly and legally.

**DOWNLOAD THIS MANUAL ON OUR WEBSITE: [WWW.SPRINGFIELD-ARMORY.COM](http://WWW.SPRINGFIELD-ARMORY.COM)**

*Always check website for updated versions of operation & safety manuals*

# CONTENTS

|                                       |    |                            |    |
|---------------------------------------|----|----------------------------|----|
| Read and Understand this Manual ..... | 3  | Field Strip .....          | 22 |
| Know Your Firearm .....               | 4  | Reassembly .....           | 26 |
| <b>Safety Rules</b> .....             | 5  | Magazine Disassembly ..... | 27 |
| Safety Devices.....                   | 12 | Magazine Reassembly.....   | 28 |
| Operation of Hammer .....             | 14 | Parts Diagram .....        | 30 |
| Loading/ Preparing To Fire.....       | 16 | Point of Aim.....          | 34 |
| Firing .....                          | 17 | Cable Lock .....           | 35 |
| Unloading/Clearing .....              | 18 | Care and Cleaning.....     | 36 |
| Malfunction Warning .....             | 20 | Disclaimer.....            | 38 |

**NOTE:** The information in this manual applies to all SA-35 models regardless of caliber unless otherwise noted.

**If you have any questions concerning information in this manual, call Springfield's Consumer Safety Department at (309) 944-5631 for assistance.**

# BEFORE LOADING AND FIRING THIS FIREARM, READ AND UNDERSTAND THE INFORMATION IN THIS MANUAL.

This is an auto loading firearm. It is immediately loaded and ready to fire again after each shot until all cartridges loaded in magazine have been fired. The firearm is able to fire both with and without the magazine in place. **REMOVING THE MAGAZINE DOES NOT UNLOAD THE FIREARM NOR DOES IT ENGAGE A SAFETY. THE FIREARM IS NOT UNLOADED UNTIL THE MAGAZINE IS REMOVED AND THE CHAMBER IS EMPTY.**

## ABOUT YOUR OWNER'S MANUAL

This is an instruction booklet on how to operate this firearm with some basic safe handling rules. It does not attempt to provide information about using a firearm to defend yourself, how to hunt, or for competitive or target shooting. It is important to receive training from a competent firearms instructor prior to engaging in any of these activities. The National Rifle Association, your local or state authorities, or your firearm dealer may provide information regarding available instructors or training courses. If you have a license to carry concealed, never do so without prior instruction from a certified instructor. Using a firearm for self defense is a complex subject with dangers and risks for which you must be properly trained. Every safety rule has a reason behind it - read the rules carefully and understand why each is important for safety.

It is recommended that every person receive instructions from a competent firearms instructor before handling this or any other firearm.

**Know and obey all firearms laws and regulations, which may vary from city to city and state to state. Do not give a firearm to someone who is not allowed to own a firearm or who may use it for a criminal purpose.**

## Used firearms

If you purchased this firearm as a used firearm, have it inspected and tested by a competent pistolsmith before you use it. Guns are sometimes altered and may require repair before they can be used safely.

## Store firearms safely in the home

Store firearms unloaded, locked and in a secure place. Obey firearm storage laws. Store firearms and ammunition separately. Because your children may be in other homes where firearms are stored, you should show them what to do if they see or find a firearm by showing them the Eddie Eagle video available from the NRA by calling (703) 267-1000.

**OBEY ALL FIREARMS LAWS WHEN BUYING AND SELLING FIREARMS. NEVER BUY A GUN INTENDING TO TRANSFER IT TO SOMEONE WHO IS PROHIBITED FROM OWNING FIREARMS. NEVER EVER BE A "STRAW PURCHASER."**

# KNOW YOUR PISTOL



# SAFETY RULES

## READ AND UNDERSTAND THESE SAFETY RULES

### Be A Safe Shooter.

**ACCIDENT** (*ak' si dent*) *N. 1. An unintentional or unexpected happening that is undesirable or unfortunate, especially one resulting in injury, damage, harm or loss.*

### Don't be the cause of an accident.

A responsible firearm owner is safety minded and always handles firearms in a safe manner by following the basic rules of safe shooting and by using common sense in the handling of a firearm.

Store firearms unloaded, locked, and in a secure place. Keep keys for locks separate from lock and in a secure place away from children. Keep firearms out of reach of children. You are responsible for children's safety.

### Be A Responsible Gun Owner.

- **Treat all firearms as if they are loaded at all times.**
- Never point a firearm at any person or thing you do not intend to shoot.
- Keep your finger off the trigger until you are on target and have made the **DECISION** to fire.

- Be sure you have positively identified your target.
- **ALWAYS KEEP THE MUZZLE POINTED IN A SAFE DIRECTION.**
- **Do not drop your firearm.** Make sure you maintain control of your firearm at all times. **If it falls, it may fire.** If you do drop it, unload it and examine it to be sure it works correctly. Do not attempt to fire it again until you have completed this safety check.
- Never put your hand over the muzzle of the firearm.
- Keep your finger(s) off the trigger and out of the trigger guard until you are actually aiming at your target, and made the decision to fire.
- Under no circumstances should the owner/purchaser of this firearm allow it to come into possession of or be handled by small children or a mentally handicapped individual.
- **DO NOT COVER THE EJECTION PORT WITH YOUR HANDS WHEN LOADING/UNLOADING YOUR FIREARM.**

**TREAT EVERY GUN AS IF IT IS LOADED ... ALL THE TIME.**

# BE A RESPONSIBLE FIREARM OWNER!

- Never rely on a firearm's "safety features" to protect you from unsafe firearm handling. A safety is only a mechanical device, not a substitute for common sense.
- Keep your finger off the trigger until you are on target and have made the DECISION to fire.
- Be sure of your target and backstop before you shoot. Ask yourself what your bullet will hit if it misses or goes through the target.
- Before shooting, be sure the barrel is clear of obstructions, including excessive oil and grease.
- Do not let water, snow, mud or other materials enter the barrel.
- Do not pull a firearm toward you by the muzzle.
- Always hold your firearm so you control the direction of its muzzle in case you fall or stumble.
- **ALWAYS KEEP THE MUZZLE POINTED IN A SAFE DIRECTION.**
- If anything does get into the barrel, remove cartridges, and clean bore immediately before attempting to shoot. Obstructed barrels can burst and injure you and/or bystanders.
- Maintain possession of your firearm at all times when you are on the firing range or during target practice. **DO NOT ALLOW OTHERS TO HANDLE YOUR FIREARM UNLESS THAT PERSON IS BEING INSTRUCTED OR TRAINED.**
- **DO NOT COVER THE EJECTION PORT WITH YOUR HANDS WHEN LOADING/UNLOADING YOUR FIREARM.**



**WARNING**

The SA-35 pistol, like all firearms, is a dangerous weapon if not handled properly.

# BE A SAFE FIREARM OWNER!

- **ALWAYS KEEP THE MUZZLE POINTED IN A SAFE DIRECTION.**
- Firearms and alcohol or drugs do not mix. Do not take them before or during shooting activities. Your vision, coordination and judgment could be impaired, making firearm handling unsafe.
- When taking medication, seek a doctor's advice to be sure you can operate and handle your firearm safely.
- Receive training from a competent firearms instructor before using any firearm.
- Before attempting to shoot, practice operations by using snap caps (dummy rounds). Become familiar with the safety features, trigger control, and handling of the firearm.
- Make sure you maintain control of your firearm at all times.
- **Always keep and carry your firearm with an empty chamber until you intend to shoot, so your firearm cannot be fired unintentionally.**
- Firearms should be unloaded when not in use. This means both the chamber and magazine are empty.
- When transferring a firearm by hand, always open the action and check to assure that it is unloaded prior to handing it over to someone.
- Never take anyone's word that a firearm is unloaded. When receiving a firearm, always open the action and check that it is unloaded.

# BE A SAFE FIREARM OWNER!

- Do not try to change your firearm's trigger pull, because alterations of trigger pull usually affect sear engagement and might cause accidental firing.
- Never use a firearm that jams or fails to function properly. Should this occur, return to Springfield, Inc. for warranty/repair.
- If your shot sounds weak or underpowered, it could mean a bullet is in the chamber/bore. The gun should be immediately unloaded and the chamber/bore checked for obstructions before refiring.
- **DO NOT "HORSEPLAY"** with a firearm. Your firearm cannot think ...but you can. Firearm safety depends on you.



## IMPORTANT WARNING

*There is no safe way to discharge a firearm in a home or apartment. Bullets will go through walls, floors, furniture, and appliances and still cause serious injury or death to persons in the house, next-door, or outside. Accidental discharges indoors ALWAYS result in property damage or personal injury.*



## WARNING

When you squeeze the trigger, you must expect the firearm to fire. You must take full responsibility for firing it. Your care can avoid accidental discharge and thereby avoid accidental injury and death.



# READ THESE RULES!

- Load firearm only when on range preparing to fire. Unload it before leaving range.
- **Treat every firearm as if it is loaded ... all the time!**
- Load and unload with the firearm muzzle pointed in a safe direction.
- Be certain firearm is unloaded before cleaning.
- Completely unload your firearm before storing, travelling, standing it against an object, laying it down, entering a house, car, truck, boat, RV/camper, building, or handing it to someone.
- **Never leave a loaded firearm unattended.**
- Tragedy may result if a child finds your firearm and plays with it. Keep every firearm secure. Children do not believe firearms can kill.
- Store firearms and ammunition separately. Both should be placed beyond children's reach.
- Obey all laws regarding the storage and security of firearms in the home.
- Know and obey the laws regarding the transportation and carrying of firearms.
- **Never carry any firearm, loaded or unloaded, in your pocket, purse or tucked in your belt or waistband. Use a firearm case or a proper holster.**
- **Old or reloaded ammunition may cause damage to the firearm and/or injure you or others. Use only clean, dry, original, high-quality, commercially manufactured ammunition. Using reloaded ammunition may void the warranty.**
- **ALWAYS REMEMBER, REMOVING THE MAGAZINE DOES NOT UNLOAD THE PISTOL NOR DOES IT ENGAGE A SAFETY.**
- **ALWAYS REMEMBER, THE PISTOL IS NOT UNLOADED UNTIL THE MAGAZINE IS REMOVED AND THE CHAMBER IS EMPTY.**
- **ALWAYS REMEMBER, THIS FIREARM IS ABLE TO FIRE WITH OR WITHOUT THE MAGAZINE IN PLACE.**
- **DO NOT COVER THE EJECTION PORT WITH YOUR HANDS WHEN LOADING/UNLOADING YOUR FIREARM.**

# TREAT EVERY FIREARM AS IF IT IS LOADED ... ALL THE TIME!

- Many ammunition identifications sound similar. Make sure you use the right caliber/size ammunition in your firearm.
- If firearm fails to fire when the trigger is pulled, keep it pointed at the target for at least 30 seconds. Remove the magazine before opening the action. Remove the cartridge from the chamber. Sometimes slow primer ignition will cause a “hang fire” and the cartridge will go off after a short pause.
- When group firing, always appoint someone to maintain safety control. Obey his/her commands immediately and completely.
- While shooter is loading, firing, and unloading, spectators need to remain behind shooter.
- **Always wear protective glasses when shooting.**
- **Always wear hearing protection when shooting.**
- Never shoot at hard flat surfaces or water; bullets will ricochet unpredictably.
- Do not alter or modify your firearm.
- Have your firearm serviced regularly by a qualified pistolsmith.
- Discharging firearms in poorly ventilated areas, cleaning firearms, or handling ammunition may result in exposure to lead and other substances known to cause birth defects, reproductive harm, cancer and other serious physical injury. Have adequate ventilation at all times. Wash hands thoroughly after firing your firearm, after cleaning your firearm, or whenever you have handled ammunition.
- Always use quality ammunition.
- **ALWAYS KEEP THE MUZZLE POINTED IN A SAFE DIRECTION.**
- **DO NOT COVER THE EJECTION PORT WITH YOUR HANDS WHEN LOADING/UNLOADING YOUR FIREARM.**



Safety and instruction manuals are available from Springfield, Inc.



Always wear eye and ear protection when using any firearm.

# HANDLING

## **We want you to be a safe, satisfied shooter.**

Before attempting to load this firearm with live ammunition, follow the sequence of operations shown here without ammunition or with snap caps.

By practicing operations with snap caps, you will become familiar with:

- Safety features,
- Trigger control (snap caps),
- Handling of your firearm.

As a result you will be a safer, more confident shooter when aiming at your first target.

**NOTE:** Extensively dry firing can accelerate component wear/stress. Use snap caps if dry firing on a regular basis.



### **WARNING**

When you squeeze the trigger, you must expect the firearm to fire. You must take full responsibility for firing it. Your care can avoid accidental discharge and thereby avoid accidental injury and death.

Write, call or email us concerning any items you do not understand and/or which might relate to your safety and the safe operations of any of our products.

Springfield, Inc.

Consumer Safety Department

420 West Main Street

Geneseo, IL 61254

(309) 944-5631

1-800-680-6866

cs@springfield-armory.com



Safety and instruction manuals are available from Springfield, Inc.


# SAFETY DEVICES

**1. Manual Safety** - The SA-35 pistol is equipped with a manually operated thumb safety. It is located on the rear left side of the pistol just below the hammer (Figure 12-1). The manual safety serves two functions on all models of the SA-35:

1. As manual safety and
2. To lock the slide rearward for disassembly.

To engage the safety in the on “safe” position, push the “safety” lever fully upward into the recess located in the rearward portion of the slide (Figure 12-2). The safety cannot be placed in the on safe position unless the hammer is “cocked”.

To disengage the manual safety for firing press the safety lever completely down. The pistol is now in the “off safe” condition and will now fire with a press of the trigger.

 **WARNING** Removing the magazine does not unload this firearm, nor does it engage a safety. This pistol will fire without a magazine inserted! This pistol is not unloaded until the magazine is removed and the chamber is empty!





# OPERATION OF THE HAMMER



**CAUTION:** If pistol is loaded, gun may discharge if the hammer slips from your grip during this procedure.

The SA-35 is a single-action pistol featuring an exposed three position hammer, fully cocked position, halfcocked position and lowered position. The round hammer spur is textured to provide positive control while manually cocking or lowering the hammer.

## LOWERED POSITION:

1. Point gun in safe direction and ensure pistol is unloaded (see page 18).
2. Grip the pistol firmly with shooting hand to maintain control
3. Using non-shooting hand, firmly grasp hammer spur with thumb and forefinger (Figure 14-1).
4. Be prepared for hammer movement. Squeeze trigger.
5. Slowly lower hammer with thumb and forefinger until it is fully lowered (Figure 14-2).
6. Release trigger once the hammer is fully lowered. (If the trigger is released early the gun may be on the Half Cock position.)

**NOTE:** Always keep and carry your pistol with an empty chamber and with the hammer forward (down) until you intend to shoot, so your pistol cannot be fired unintentionally.



Figure 14-1



Figure 14-2

# OPERATION OF THE HAMMER

## FULLY COCKED POSITION:

In the fully cocked position, the hammer is fully rearward (Figure 15-1). In the fully cocked position, with the manual safety in the off safe position, and with a cartridge in the chamber, the pistol will fire by pulling the trigger.

## HALF COCKED POSITION:

The half-cocked hammer position is between the dropped position and fully-cocked position (Figure 15-2). The half-cock position is designed to prevent the hammer from striking the firing pin should your thumb slip off of the hammer while cocking the hammer or lowering the hammer. **THE HALFCOCKED POSITION IS NOT A SAFETY!**

**⚠ WARNING** DO NOT CARRY OR STORE THE PISTOL WITH THE HAMMER IN THE HALF-COCK POSITION. THE HALF-COCK POSITION IS PROVIDED ONLY AS A FAILSAFE MEANS OF CATCHING THE HAMMER SHOULD IT SLIP WHILE LOWERING THE HAMMER FROM FULL-COCK TO LOWERED POSITION OR WHEN COCKING THE PISTOL. IF THE HAMMER SHOULD SLIP WHILE THE TRIGGER IS DEPRESSED, THE HALF-COCK NOTCH WILL NOT PREVENT THE HAMMER FROM STRIKING THE FIRING PIN. KEEP YOUR FINGER OFF THE TRIGGER WHEN YOU ARE COCKING THE HAMMER. FAILURE TO FOLLOW THESE WARNINGS COULD RESULT IN SERIOUS INJURY OR DEATH.



Figure 15-1

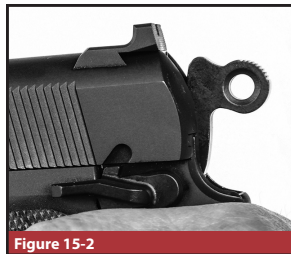


Figure 15-2

# LOADING/PREPARING TO FIRE

1. Place the **EMPTY** magazine in the magazine well, located in bottom of firearm grip. Make sure the magazine is **EMPTY** or you will inadvertently load the firearm. Push firmly enough on bottom of magazine to make sure it is properly seated. A distinctive “click” will confirm the magazine has been properly inserted. Pull the slide completely to the rear until it locks back.
2. Depress magazine release and remove magazine.
3. Ensure that you are using the proper caliber ammunition for your firearm. Place rim of first cartridge on front of follower (See Figure 16) then push the cartridge down on the follower and slide the cartridge under the lips of the magazine completely to the rear. Load successive rounds by pushing cartridge down on previously loaded cartridge. Use only clean, dry, original, high-quality, commercially manufactured ammunition. Using reloaded ammunition may void warranty.
4. **POINT FIREARM IN A SAFE DIRECTION AND KEEP FINGER OFF TRIGGER.** Re-insert **LOADED** magazine into magazine well, located in bottom of firearm grip. Push firmly enough on bottom of magazine to make sure it is properly seated.



**CAUTION:** Do not slam or forcefully jam magazine into magazine well.

5. Depress the slide stop lever to allow slide to move forward and load a cartridge from the magazine into the chamber.
6. Apply manual safety upwards to safe position.



**CAUTION:** Never load cartridge by hand directly into the chamber.



**CAUTION:** The firearm is now ready to fire.

**NOTE:** An alternative method to load the cartridge into the chamber is to pull the slide completely to the rear and in one motion quickly release it, allowing the slide to slam forward unimpeded under its own force. (Do not hold the slide as it moves forward. “Riding the slide” in this manner can cause cartridge to jam or misfeed).



**CAUTION:** Do not cover the ejection port with your hand when loading / unloading your firearm.



Figure 16



**WARNING**

Never touch the trigger when loading or unloading the firearm.



# FIRING

## Point firearm in a safe direction at all times.

If you have never fired a firearm before, follow the sequence of operations shown here without ammunition or with snap caps. Then load only **one** cartridge into the magazine for your first live ammunition firing.

1. **POINT FIREARM IN A SAFE DIRECTION WHILE KEEPING YOUR FINGER OFF OF THE TRIGGER.**
2. Load a cartridge into chamber from magazine following the procedure described on page 16 and lift manual safety to the "on safe" position).
3. Grasp grip of firearm firmly. **(A loose grip may cause the firearm to malfunction.)**



**CAUTION: THE FIREARM IS NOW READY TO FIRE. BE PREPARED FOR NOISE AND RECOIL WHEN FIREARM FIRES.**

4. Aim firearm at target by aligning sights.



Always wear eye and ear protection when using any firearm.



Safety and instruction manuals are available from Springfield, Inc.

5. Lower manual safety to fire position. Now lightly place finger on trigger, and slowly squeeze trigger to fire the firearm. Spent cartridge is expelled up and to the right.
6. Pistol will automatically be ready to fire again after each shot until all cartridges loaded in magazine have been fired.
7. When last cartridge has been fired, slide will lock open and remain to rear.

This is an auto loading firearm. It is immediately loaded and ready to fire again after each shot until all cartridges loaded in magazine have been fired. The firearm is able to fire both with and without the magazine in place. REMOVING THE MAGAZINE DOES NOT UNLOAD THIS FIREARM NOR DOES IT ENGAGE A SAFETY. THIS FIREARM IS NOT UNLOADED UNTIL THE MAGAZINE IS REMOVED AND THE CHAMBER IS EMPTY.



**WARNING**

Loading the SA-35 by manually inserting a round in the chamber is improper and may cause accidental discharge and possible damage to the extractor. Always load the firearm using the magazine. When loading the firearm, always point the muzzle in a safe direction.

# UNLOADING/CLEARING

If slide is already in the “locked back” position:

**WARNING** POINT FIREARM IN SAFE DIRECTION WHILE KEEPING YOUR FINGER OFF OF THE TRIGGER.

1. Press magazine release button to remove magazine.
2. From above and rear, carefully inspect chamber to make sure it is empty (See Figure 18).

When magazine has been removed and when chamber is empty, a firearm lock can be installed (See Page 35). Pistol can now be safely stored in a secure place.

**CAUTION:** Do not cover the ejection port with your hand when loading/unloading your firearm.

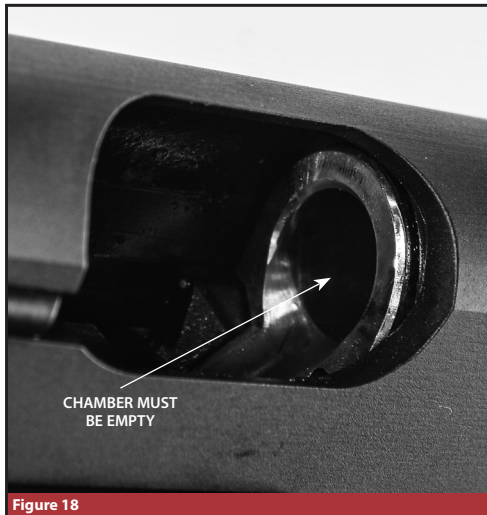


Figure 18

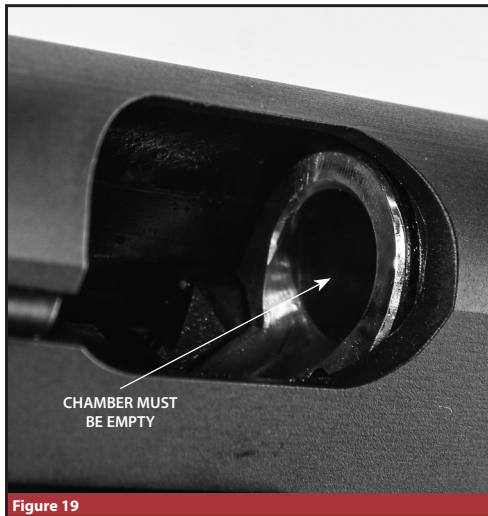
**WARNING** Firearm is not empty or unloaded until the magazine is removed and the chamber is empty. To properly clear a firearm, remove the magazine, then pull slide back and check the chamber.

# UNLOADING/CLEARING

If slide is forward:

1. **POINT FIREARM IN SAFE DIRECTION WHILE KEEPING YOUR FINGER OFF OF THE TRIGGER.**
2. Press magazine release button to remove magazine.
3. While holding slide in rearward (open) position, carefully inspect chamber making sure it is empty (Figure 19).

When magazine has been removed and when chamber is empty, a firearm lock can be installed (See Page 35). Pistol can now be safely stored in a secure place.



**WARNING**

Firearm is not empty or unloaded until the magazine is removed and the chamber is empty. Never touch the trigger when loading or unloading the firearm.

# MALFUNCTION WARNING!

If cartridge hangs up, jams or binds when being chambered from magazine into chamber, do not attempt to force it into the chamber by pushing or striking slide.

**DO NOT COVER THE EJECTION PORT WITH YOUR HANDS WHEN LOADING/UNLOADING YOUR FIREARM.**

1. What to do:

- **Point firearm in a safe direction while keeping your finger off of the trigger.**
- Remove magazine.
- Pull back on slide and allow cartridge to fall from firearm.
- Do not cover the ejection port with your hands when loading / unloading your firearm.
- If cartridge does not fall free, pull slide back and lock it back with slide stop.
- Carefully dislodge cartridge.
- If cartridge cannot be removed, lock slide back, carefully store your firearm and magazines and take it to a pistolsmith. (USE SUPPLIED CABLE LOCK). (Figure 20 & Page 35)

2. Most failures to feed or chamber a cartridge are the result of a damaged magazine, improper firearm handling or defective ammunition.

3. Whatever the cause, a jammed cartridge can be a dangerous situation.

**If you have any questions concerning information in this manual, call Springfield's Consumer Safety Department at (309) 944-5631 for assistance.**

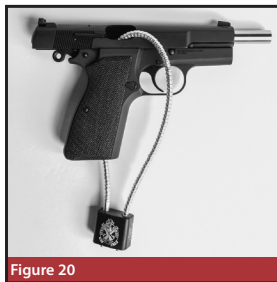


Figure 20

Store key separately away from lock and out of reach of children. Springfield Armory® firearm boxes are also designed for an exterior lock.



**Always wear eye and ear protection when using any firearm.**




**Safety and instruction manuals are available from Springfield, Inc.**



# TO ELIMINATE MALFUNCTIONS

- First try changing type/brand of ammunition and/or magazine.
- If changing to another type/brand of ammunition and/or magazine does not at once result in smooth feeding of cartridges from magazine to chamber, the following steps should be taken:
  - Make certain chamber and magazine are unloaded. Magazine should be removed first. Check chamber to be sure it and magazine well are clear of cartridges.
  - Thoroughly clean magazine, paying particular attention to removing accumulated residue.
  - Thoroughly clean breech mechanism of firearm. Use a bristle brush and solvent to remove residue and fouling from breech face, extractor, chamber and feed ramp. (See **CARE AND CLEANING** section for detailed instruction).
- Check that magazine spring tension is adequate; the spring should hold the follower tightly against the lips of the magazine.
- Check that magazine lips are free of nicks and burrs and are not deformed.
- Remove excess oil and solvent from all cleaned components, load magazine and try firearm again.

 **WARNING** An obstructed, cracked or damaged barrel should never be used and the firearm should be returned to Springfield for inspection.

# FIELD STRIP



**CAUTION:** The SA-35 has a Non-Captive Recoil Spring System. Spring is under tension. Maintain control.

**NOTE:** FIELD STRIPPING PROCEDURES ON THE SA-35 ARE THE SAME REGARDLESS OF CALIBER.

Before performing any cleaning or maintenance, make sure the firearm is completely unloaded (this includes the magazine and chamber). **WEAR EYE PROTECTION.**

**ALWAYS REMEMBER THE FIREARM IS ABLE TO FIRE WITH OR WITHOUT THE MAGAZINE IN PLACE.**

1. **POINT GUN IN SAFE DIRECTION WHILE KEEPING FINGER OFF THE TRIGGER.**
2. Remove magazine and unload firearm.
3. Retract the slide fully rearward and press the manual safety upwards into the disassembly notch on the slide (See Figure 22-1).
4. Visually inspect the chamber to confirm the firearm is unloaded.
5. Remove the slide stop from the frame by pushing the protruding slide stop pin on the right side of the pistol while lifting up slightly on the serrated portion of the slide stop (Figure 22-2).



Figure 22-1



Figure 22-2



## WARNING

If you decide to disassemble your Springfield Armory® firearm, do so properly. Improper disassembly and/or assembly will create unsafe conditions that could result in injury or death, or a firearm that simply will not work. Don't take chances. Do not attempt to disassemble this or any other firearm until you have received training and instructions from a competent pistolsmith.

# FIELD STRIP

**Before performing any disassembly, point firearm in safe direction, make sure the firearm is completely unloaded (this includes the magazine and chamber). Wear eye protection.**

6. Grasp the slide firmly and pull it rearward slightly, then move the manual safety lever down. The slide will move forward under spring tension so maintain a firm grip and remove slide assembly from frame (Figure 23-1).
7. While holding the slide, press the head of the recoil spring guide towards the muzzle to release the head of the recoil spring guide from the barrel lug. Remove the recoil spring and its guide (Figure 23-2).



**CAUTION:** The SA-35 has a Non-Captive recoil spring system. Spring is under tension. Maintain control.



Figure 23-1



Figure 23-2

# FIELD STRIP

8. Remove the barrel from the slide by lifting the lug and sliding the barrel rearward. (See Figure 24-1).



**CAUTION:** The SA-35 has a Non-Captive Recoil Spring System. Spring is under tension. Maintain control.

**The firearm is now fully field stripped and ready for cleaning.**



**WARNING** Further dismantling is not necessary and should only be done by Springfield, Inc. or a qualified pistolsmith.



Figure 24-1



Always wear eye and ear protection when using any firearm.



Safety and instruction manuals are available from Springfield, Inc.



# REASSEMBLY

**NOTE:** REASSEMBLY PROCEDURES ON THE SA-35 ARE THE SAME REGARDLESS OF CALIBER.



**CAUTION:** Never allow live ammunition in the area while you are maintaining your firearms.

1. Install barrel into slide (Figure 25-1).
2. Reinstall the recoil system insuring it is properly aligned (Figure 25-2).

- NOTE:** NEVER FORCE SLIDE ASSEMBLY ONTO FRAME.
3. Install the slide assembly onto the frame (Figure 25-3).



Figure 25-1



Figure 25-2



Figure 25-3

# REASSEMBLY



**CAUTION:** Never allow live ammunition in the area while you are maintaining your firearms.

If interference is encountered, remove the slide assembly and make sure the barrel is properly seated and the recoil system is properly aligned.

**NEVER FORCE SLIDE ASSEMBLY ONTO FRAME!**  
**Doing so could cause damage to your firearm.**

4. (Figure 26-1) Firmly grasp the slide and retract to its rearward most position, at this point spring resistance will be encountered and maintain control.
5. Press the manual safety upwards into the disassembly notch on the slide, locking the slide to the rear (Figure 26-2).

6. Install slide stop (Figure 26-3).
7. Grasp the slide firmly and pull it rearward slightly, then move the manual safety lever down. The slide will move forward under spring tension so maintain a firm grip (Figure 26-4).
8. Reassembly is now complete.



Figure 26-1



Figure 26-2



Figure 26-3



Figure 26-4

# MAGAZINE DISASSEMBLY

## DISASSEMBLY AND CLEANING PROCEDURES FOR THE SA-35 9MM MAGAZINES.

Disassembly of the SA-35 magazine is accomplished by depressing the exposed protrusion of the magazine locking plate that is visible through the bottom surface of the magazine base (Figure 27-1). While depressing the locking plate protrusion carefully slide the magazine base forward (Figure 27-2).

**NOTE:** There is considerable spring pressure bearing on the magazine base.

Control the magazine spring as the base is removed (Figure 27-3). The magazine can now be fully disassembled (Figure 27-4).

**NOTE:** MAKE NOTE OF MAGAZINE SPRING ORIENTATION.



**ALWAYS WEAR PROTECTIVE SAFETY GLASSES WHEN DISASSEMBLING OR REASSEMBLING ANY MAGAZINE.**



Figure 27-1



Figure 27-2



Figure 27-3

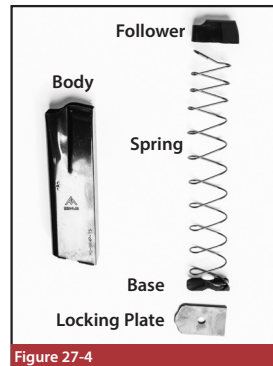


Figure 27-4



**WARNING**

The magazine spring, follower, and inner floor plate are under spring tension, and can cause eye injury if not controlled during removal. Wear protective safety glasses to reduce the risk of eye injuries. Be sure to maintain downward pressure on the magazine spring, with your thumb, while disassembling.

# MAGAZINE REASSEMBLY

## REASSEMBLY AND CLEANING PROCEDURES FOR THE SA-35 9MM MAGAZINES.

Orient and reassemble the components as illustrated in Figure 28-1. Depress the magazine locking plate and slide the magazine base home until the magazine locking plate “snaps” into place in the base securing the magazine base (Figure 28-2).

**NOTE:** MAKE SURE MAGAZINE SPRING IS FACING THE CORRECT DIRECTION.

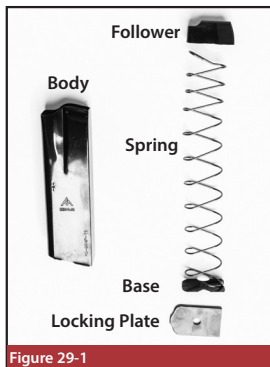


Figure 29-1



**ALWAYS WEAR PROTECTIVE SAFETY GLASSES WHEN DISASSEMBLING OR REASSEMBLING ANY MAGAZINE.**

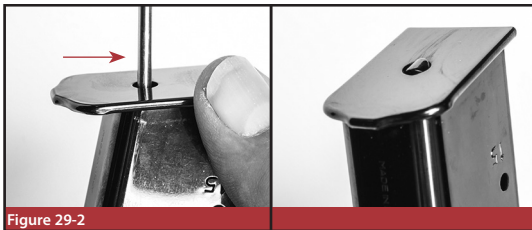


Figure 29-2



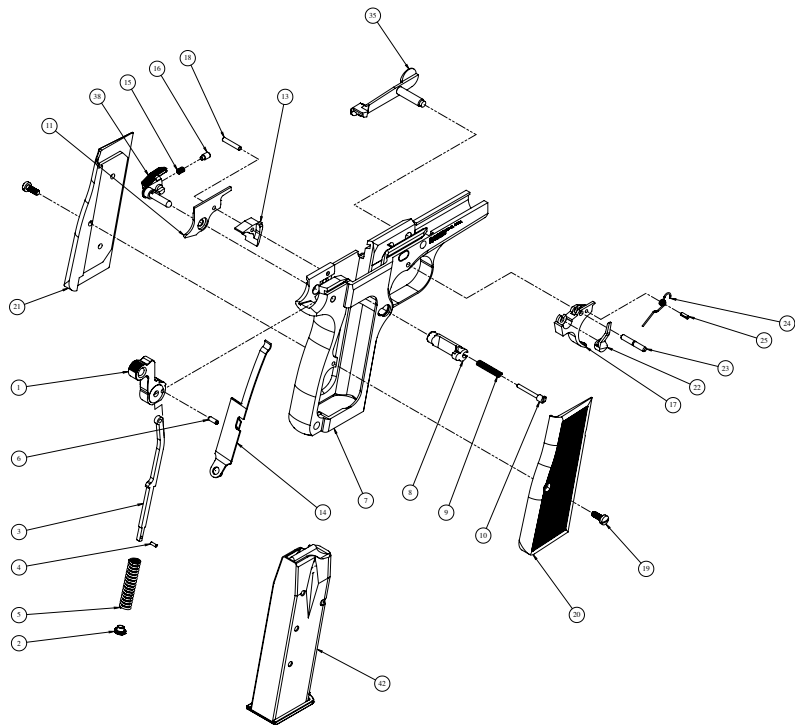
**WARNING**

The magazine spring, follower, and inner floor plate are under spring tension, and can cause eye injury if not controlled during removal. Wear protective safety glasses to reduce the risk of eye injuries. Be sure to maintain downward pressure on the magazine spring, with your thumb, while disassembling.



# SA-35 FRAME PARTS LIST

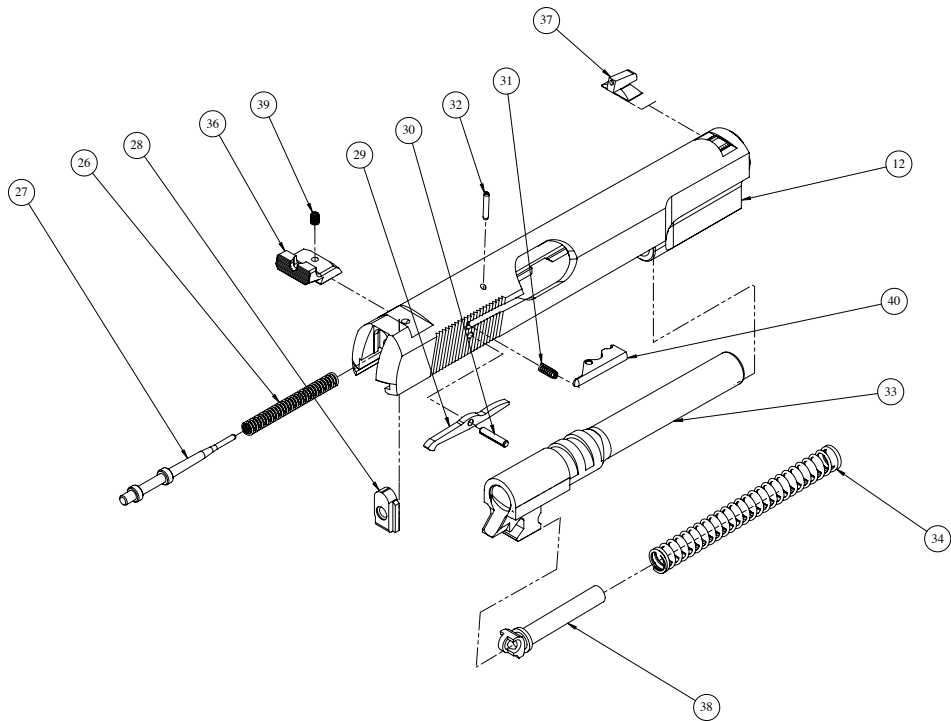
- |                                |                            |
|--------------------------------|----------------------------|
| 1 Hammer                       | 16 Thumb Safety Plunger    |
| 2 Hammer Strut Support         | 17 Trigger                 |
| 3 Hammer Strut                 | 18 Sear Pin                |
| 4 Hammer Strut Pin             | 19 Grip Screws             |
| 5 Hammer Strut Spring          | 20 Right Hand Grip         |
| 6 Hammer Pin                   | 21 Left Hand Grip          |
| 7 Frame                        | 22 Trigger Lever           |
| 9 Magazine Catch Spring        | 23 Trigger Pin             |
| 10 Magazine Catch Lock         | 24 Trigger Spring          |
| 11 Ejector                     | 25 Trigger Spring Pin      |
| 13 Sear                        | 35 Slide Stop              |
| 14 Sear Spring                 | 38 Thumb Safety            |
| 15 Thumb Safety Plunger Spring | 42 15 Round - 9mm Magazine |



# SA-35 SLIDE PARTS LIST

- 12 SA-35 Slide
- 26 Firing Pin Spring
- 27 Firing Pin
- 28 Firing Pin Stop
- 29 Sear Lever
- 30 Sear Lever Pin
- 31 Extractor Spring
- 32 Extractor Pin
- 33 9mm Barrel
- 34 Recoil Spring
- 36 Rear Sight
- 37 Front Sight
- 39 Rear Sight Screw
- 40 Extractor
- 41 Recoil Spring Guide





# POINT OF AIM

## Point of Impact

Shooters may use a “point of aim” sight picture at 25 yards (See Figure 50-1). This means that, at 25 yards, the bullet should impact the target at the point visible at the top of the front sight. Springfield, Inc. firearms are regulated to shoot point of aim, point of impact. Changing brand or type of ammunition may alter point of impact as well as shooter's technique.



**CAUTION:** Use only clean, dry, original, high-quality, commercially manufactured ammunition.

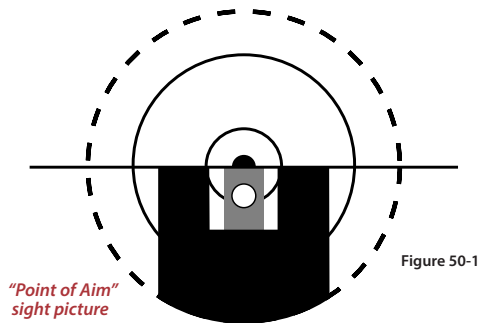


Figure 50-1

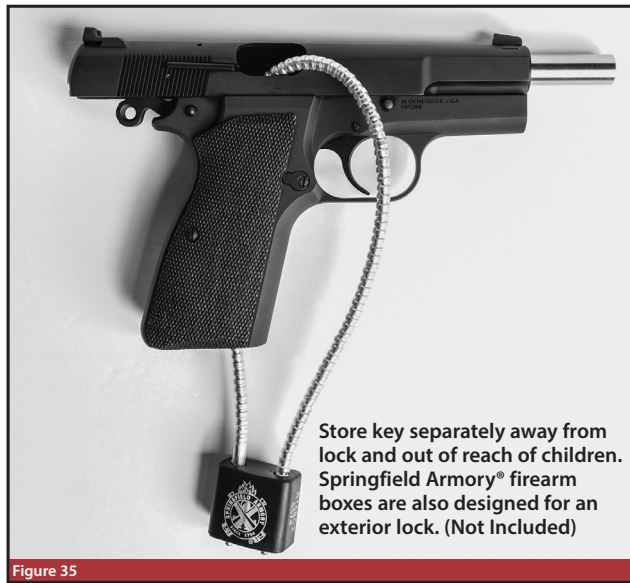
# CABLE LOCK

- Step 1 - Point gun in safe direction while keeping your finger off the trigger.
- Step 2 - Press magazine release and remove magazine.
- Step 3 - Pull slide fully to the rear and lock open.
- Step 4 - Check to see that no cartridge is in the chamber.
- Step 5 - Insert cable through the ejection port and out magazine well.
- Step 6 - Lock cable into cable lock (Figure 35).
- Step 7 - Grasp slide and ease forward.



**CAUTION: GUNS SHOULD ALWAYS BE LOCKED AND STORED IN COMPLETE COMPLIANCE WITH ALL APPLICABLE LAWS AND REGULATIONS.**

**This cable lock is supplied as an aid to your security measures.**



Store key separately away from lock and out of reach of children. Springfield Armory® firearm boxes are also designed for an exterior lock. (Not Included)

Figure 35

# CARE & CLEANING

## KEEP YOUR GUN CLEAN AT ALL TIMES

### Basic materials needed:

- Cleaning rod of proper size with bristle bore brushes (fiber or brass) and tip into which cleaning patch can be inserted.
- Cloth patches
- Powder solvent
- Lubricating oil
- Small lint-free cloths for wiping and oiling
- Bristle brush for scrubbing dirt off breech face, extractor, magazine lips, follower, etc.

Use proper size bore brushes and patches - if they are too small they won't do the job, and if they are too large they will bind inside bore.

When possible, insert cleaning rod from chamber end of barrel and push rod all the way through so it emerges from muzzle.

Do not "reverse" rod direction when patch or brush is in barrel, it might bind.

Do not use patches dripping with solvent or oil. Wet patches or brushes, then squeeze out excess before using.

When using bore brushes or a larger bristle brush on breech face, breech areas, magazines, etc., work carefully to prevent damaging components.

**NOTE:** *Only a very small amount of oil is needed to adequately lubricate moving parts and prevent rust. Accumulation of oil tends to attract dust and dirt which interferes with the safe and reliable functioning of firearm. DO NOT APPLY EXCESS LUBRICATING OIL. DO NOT APPLY OIL OR GREASE TO STRIKER.*



Safety and instruction manuals are available from Springfield, Inc.



Wear eye protection when using solvent. Thoroughly wash your hands to remove powder and solvents after cleaning your firearm.



Always wear eye and ear protection when using any firearm.

# CLEANING FIREARM

1. Point firearm in safe direction.
2. Remove magazine and empty chamber.
3. Separate cartridges from firearm before cleaning operation.
4. Open slide and visually check that chamber and magazine well are free of cartridges.
5. Disassemble firearm as described in the **DISASSEMBLY** section.
6. Using cleaning rod, run solvent-wetted patch through barrel several times.
7. Attach solvent-wetted bristle brush to rod and run back and forth full length of barrel as needed until clean of residue.
8. Clean barrel with dry patches and examine it. If necessary, repeat barrel scrubbing. Barrel fouling can contribute to reduced accuracy, and residue accumulation in the chamber can interfere with proper feeding of cartridges from magazine.
9. Using powder solvent on a clean patch, remove powder residue from all components of mechanism. If residue cannot be removed by wiping with patch, use solvent-wetted bristle brush.
10. Next, wipe scrubbed areas with solvent-wetted patch.
11. After cleaning, run dry patch through barrel, then follow with lightly oiled patch.
12. Wipe all surfaces clean with cloth, then wipe all surfaces with lightly oiled patch (or cloth).
13. Reassemble firearm. Remember, an improperly assembled firearm is dangerous and should not be fired. Always consult a qualified pistolsmith if you experience any difficulty or have any questions concerning assembly procedure.
14. If firearm is to be stored for an extended period, final oil applications can be heavier so there will be less tendency for it to evaporate.
15. Keep your firearm clean at all times.

# SPRINGFIELD ARMORY® LIMITED WARRANTY

## SPRINGFIELD ARMORY® LIMITED WARRANTY

This Limited Warranty is issued by Springfield, Inc., d/b/a Springfield Armory, an Illinois corporation (“Springfield” or “we” or “us” or “our”) to “You” the original retail purchaser (also “YOUR”) of a Springfield product (the “Product”). This Limited Warranty gives You specific legal rights, and You may also have other rights which vary from state to state.

## WHO AND WHAT IS COVERED BY THIS WARRANTY?

Springfield, Inc. warrants to You, the original retail purchaser of the Product, that the Product You purchased will be free of defects in workmanship or material, subject to the terms of this document.

## HOW LONG WILL THIS WARRANTY LAST?

This Warranty will be in effect during the time that YOU, the original retail purchaser, own the product. Proof of original purchase required.

## WHAT DO YOU HAVE TO DO FOR WARRANTY SERVICE?

You must take 3 steps to get warranty service. Notify us by phone, email, fax, or mail. If You discover a defect in material or workmanship, You must notify us by telephone, email, fax or mail at once of the Warranty Service Contact Points. Warranty Service Contact Points:

Telephone: 800-680-6866

Email: [warranty@springfieldwarranty.com](mailto:warranty@springfieldwarranty.com)

Fax: 309-944-3676

Mail: Springfield Armory  
420 West Main Street  
Geneseo, Illinois 61254  
Attn: Warranty Service

Write a brief description of the defect. Please write down a brief description of the defect and how YOU experienced or discovered the defect. Follow the return instructions you receive from Springfield. Once we receive Your notification for warranty notice at one of our Warranty Service Contact Points, we will provide You with a shipping coupon (so that we can pay for the shipping) and instructions on how to return Your Product for service. You must follow the shipping instructions once You receive them.

## WHAT WILL SPRINGFIELD DO IF YOU DISCOVER A DEFECT?

If, during YOUR ownership of the Product, one or more parts of the Product fail due to defects in materials or workmanship, Springfield will provide, free of charge, a new, repaired or reconditioned (decided at our discretion) Product. That new, repaired or reconditioned Product will be warranted for the remainder of YOUR ownership of the Product under these terms and conditions.

## WHAT IS NOT COVERED BY THIS LIMITED WARRANTY?

This Limited Warranty does not cover any damage or condition determined by Springfield to be caused by: unauthorized repairs, disassembly, adjustments or modifications, carelessness, negligence, misuse, or unsafe handling, normal wear and tear, failure to properly or reasonably store, use, or maintain the product, hand-loaded, reloaded, remanufactured, or defective ammunition.



**WARNING**

The SA-35 pistol, like all firearms, is a dangerous weapon if not handled properly.

## LIMITATION OF LIABILITY AND DISCLAIMERS

This limited warranty is provided in lieu of any and all express warranties. All implied warranties, including implied warranties of merchantability, non-infringement and fitness for a particular purpose, are limited in duration to the duration of the warranty period (the original purchaser's (your) ownership of the product) and no warranties, hether express or implied, will apply after such period.

Some states do not allow limitations on the duration of an implied warranty, so the above limitation may not apply to you. Springfield's responsibility for malfunctions and defects in the product is limited to the terms set forth in this limited warranty. The preceding limited warranty constitutes springfield's only obligation to you and represents your exclusive remedy against springfield. In no event will springfield be liable for incidental, special or consequential damages, regardless of whether your claims are based on breach of contract, tort (including negligence and strict liability) or other theories, including, without limitation, any liability for economic loss, bodily injury, property damage or for any damage that may result from your use or ownership of the product, whether foreseeable or not. Some states do not allow the exclusion or limitation of incidental or consequential damages or certain other exclusions contained in warranties, so the above limitations or exclusions may not apply to you. The limitations set forth in this limited warranty shall not apply to the extent that they are prohibited by law.

No person or entity is authorized to give any other warranty or to assume any other obligation on behalf of Springfield. Any provision of this Limited Warranty prohibited or unenforceable in any jurisdiction shall be ineffective only to the extent of such prohibition and shall not invalidate any of the remaining provisions of this Limited Warranty.

## GOVERNING LAW/VENUE/CONSENT TO JURISDICTION

This Limited Warranty will be governed and construed in accordance with the law of the State of Illinois, without regard to Illinois' conflict of law rules. Any litigation between SPRINGFIELD and YOU or YOUR heirs, representatives or assigns shall be filed before a court of competent jurisdiction and venue in the 14th Judicial District of the State of Illinois. YOU HEREBY CONSENT TO THE IN PERSONAM JURISDICTION AND VENUE OF THE ILLINOIS COURTS, AND THAT SERVICE OF THE PROCESS MAY BE MADE UPON YOU AS PROVIDED BY ILLINOIS LAW.

## KEEP THIS CARD FOR YOUR RECORDS

Serial Number \_\_\_\_\_

Date Of Purchase \_\_\_\_\_

Place Of Purchase \_\_\_\_\_



## ACTIVATE YOUR WARRANTY ONLINE AT:

[www.springfieldwarranty.com/StartWarranty.asp](http://www.springfieldwarranty.com/StartWarranty.asp)

And receive a coupon for specific discounted items on our webstore.  
Magazines, shirts, hats, range bags and much more.

# SPRINGFIELD ARMORY®

420 WEST MAIN STREET, GENESEO, IL 61254 • 800-680-6866



Safety and instruction manuals are available from  
Springfield, Inc.



Always wear eye and ear protection when using any firearm.

**DOWNLOAD THIS MANUAL ON OUR WEBSITE: [WWW.SPRINGFIELD-ARMORY.COM](http://WWW.SPRINGFIELD-ARMORY.COM)**

*Always check website for updated versions of operation & safety manuals*

Copyright 2021. Contents property of Springfield, Inc. All rights reserved.