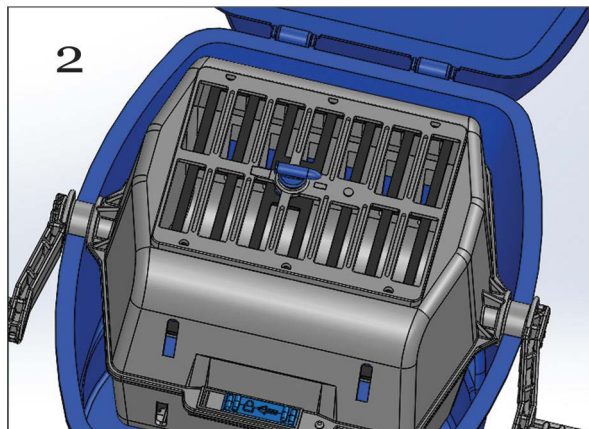
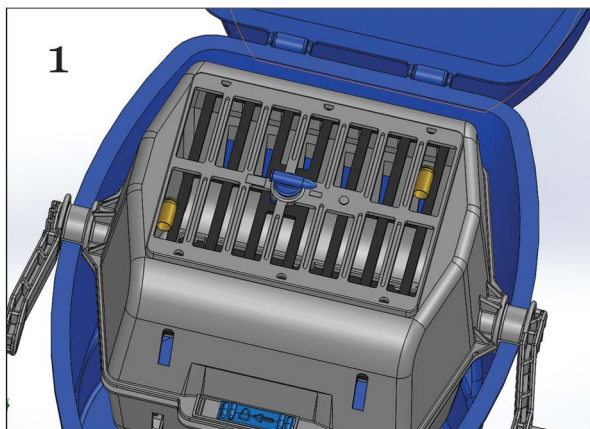


# BERRY'S

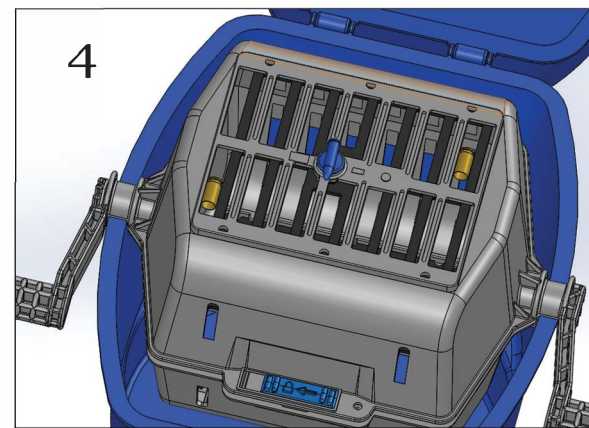
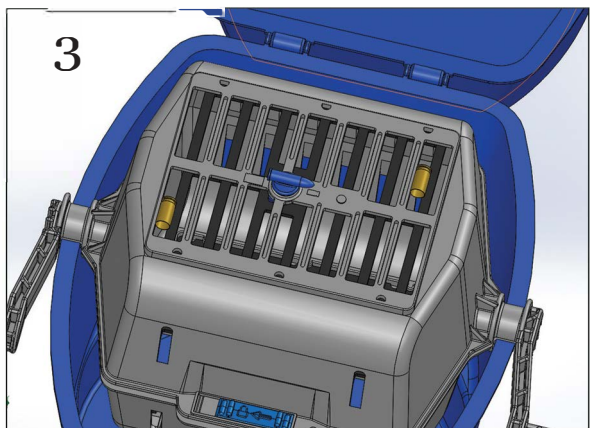
MADE IN THE USA

## Brass Sorter/Media Separator

Upon opening the box you will see the two black basket halves and two large blue clamshell halves. Assemble the halves and place the basket assembly in the blue clamshell assembly. The basket assembly has an adjustable shutter on each side. The shutter is adjusted by turning the small blue rimfire cartridge in the center. Image 1 shows the shutter in the full open position with the blue cartridge pointing towards the large cartridge icon on the shutter. Image 2 shows the shutter in the closed or smallest cartridge position.



Put your mixed caliber brass into the basket and close the latch. Use the cartridge case that you want to sort out first as a guide to set the shutter. Start with the shutter in the closed position (image 3) and open the shutter until the brass falls into the basket. Place the next size (caliber) brass for sorting onto the shutter to make sure it does not fall into the basket. Repeat the calibration process with each successive size brass.



Close the basket and lock the latch (image 5). Close the clamshell and lock the latch (image 6). Rotate the basket by turning the handles until all the brass to be sorted has fallen through the shutters. To separate your cleaning media, use the smallest opening (image 2).

