
TRIANGLE

Skeleton Stock

INSTRUCTIONS

MAKE SURE YOUR FIREARM IS UNLOADED AND POINTED IN A SAFE DIRECTION WHEN INSTALLING THIS STOCK

- 1** _ Remove the existing stock if installed.
- 2** _ Place QD adapter into position by inserting the alignment pin into the middle hole on the stock gusset (*Fig. 1*). Once in position, align the stock to the receiver block or folding mechanism. Insert the two 10-32x1-1/4" cap socket head screws (*Fig. 2*). Tighten screws to no more than 30 in-lbs.

Fig.1

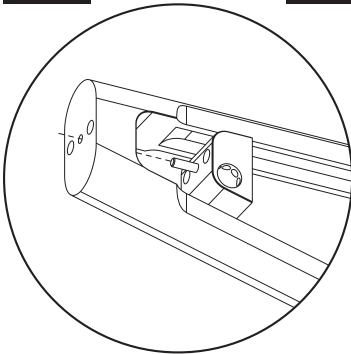


Fig.2

