

FORSTER PRODUCTS

310 SE LANARK AVENUE, LANARK, ILLINOIS 61046 PHONE: 815-493-6360 FAX: 815-493-2371 forsterproducts.com

User Instructions for the Bench Rest® Powder Measure

Issue 3

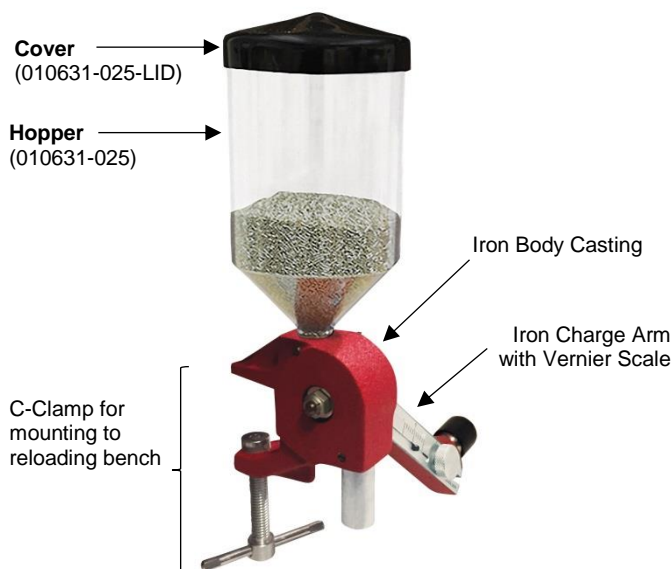
1.0 GENERAL INFORMATION

The Bench Rest Powder Measure keeps your powder flowing evenly. Its long, narrow, powder-charge reservoir minimizes the amount of powder shearing for each and every charge.

The vernier scale on the charge arm lets you control minute changes in capacity. The charge arm meters the powder and dispenses a flow of consistent charges using your choice of gun powder. For example, it will measure from 2½ grains of Bullseye® to 95 grains of IMR® 4320 or Alliant Reloder® 15.

The powder hopper is designed to eliminate variation in charges due to changes in the volume of powder contained in the hopper. The small outlet on the hopper serves as a built-in baffle, regulating the powder leaving the hopper and entering the measure in a uniform manner.

Figure 1. Powder Measure Overview



2.0 SAFETY INFORMATION

- Please follow all pertinent safety procedures such as wearing safety glasses, being in a well-lit and well-ventilated workspace, and having all reloading tools in top working condition and no flames, sparks or static electricity.
- Always follow instructions and tables from a reliable reloading manual to determine proper powders, bullet weights, and primer types.

3.0 INSTALLATION

3.1 Assembly

The Powder Measure is shipped to customers fully assembled. To begin measuring,

1. Mount the device to your workstation, as described below.
2. Load the Powder Hopper and Cover into the top of the Body Casting (Fig. 1).
3. Check to see that the Locknut (010631-021) on the Cross Bolt (010631-026) is tight. This will serve to remove any excess play between the iron castings (Fig. 3).
4. Secure the Drop Tube (010631-027xx) lightly with the Set Screw (010631-013).

3.2 Mounting

Three methods are available for securing the Powder Measure to different work surfaces.

3.2.1. Clamp to Table Edge or Board

The C-clamp (Fig. 1) opens to receive boards up to 1¼" wide.

3.2.2. Screw to Workbench or Board

The top of the C-clamp casting contains a hole for a woodscrew.

3.2.3. Clamp to Optional Powder Measure Stand

The Bench Rest Powder Measure Stand (017941) securely holds the Powder Measure in place. See Fig. 2.

Figure 2. Optional Stand



4.0 PROCEDURE

⚠ WARNING PERSONAL INJURY

- Only use smokeless gun powder in the Powder Measure.
- Never mix powders.

Failure to comply with these instructions could result in death or serious injury.

To initialize the charge chamber for a specific volume of powder,

1. First, make sure that the internal powder-flow channels are thoroughly cleaned of any residue from previous usage.
2. Loosen the Thumbscrew (010631-022) on the Charge Arm, in order to drop the Charge Bar (010631-024) to its inner position. Tighten the Thumbscrew.
(The Charge Bar has two settings – inserting the Thumbscrew into the “outer” hole allows it to hold charges of approximately 2 to 37 grains of powder, and in the “inner” hole approximately 37 to 95 grains [see Fig. 3 for the Thumbscrew setting positions on the Charge Bar].) This step assumes that you need to reset to the lower “outer” amount; otherwise, proceed to step 3.
3. With the Charge Arm handle in the down position (at 6 o’clock, when facing the Arm), pour the desired weight of powder from your scale pan into the empty Hopper (010631-025). The powder will flow into the Charge Arm.

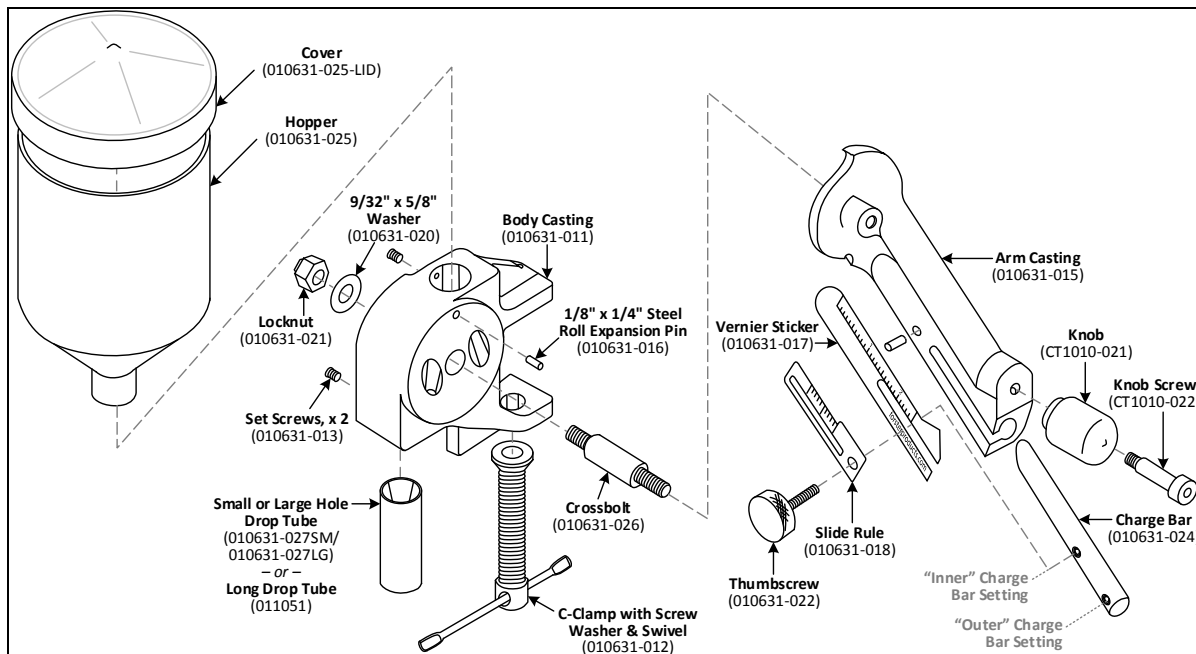
4. Rotate the handle 90° toward you to the neutral position, so that the Thumbscrew and scale are horizontal to the work surface (at 9 o'clock).
5. While the Arm is in the neutral position (that is, neither fully up, filling, nor fully down, dispensing), slowly move the Charge Bar toward the powder charge until it stops, and lock in place with the Thumbscrew.
6. Fully lift up the Charge Arm handle (to 12 o'clock) to allow the powder charge to flow out through the Drop Tube.
7. The Charge Arm/Charge Bar should now be adjusted to the volume of powder corresponding to the sample charge you weighed into the Powder Measure. Load your powder into the Hopper and throw a few charges, weighing each one to verify accuracy. If needed, make slight adjustments with your Charge Bar to fine tune.

The Charge Arm is now adjusted for a selected volume. Fill the Hopper and verify the next 2-3 charges by weighing them. If necessary, adjust the Charge Bar. The Powder Measure is ready to charge all your cases. You should be able to throw a charge every 4 seconds.

4.1 Tips for Effective, Repeatable Measurement

- To get acquainted with your Powder Measure, throw several charges with a given powder and setting. Check each one on an accurate scale.
- Your hand motion needs to be consistent and deliberate. Practice by moving the handle with a slow, steady downward movement. Try this experiment: Throw three charges with a slow and steady movement through the entire 180° and let the handle stop firmly. Repeat, but use a swift down movement of the handle – this time, you should find the charge smaller by ½ grain or more.
- The Powder Measure will throw up to 95 grains of smokeless gun powder. For larger charges, set the volume to half the total and throw two charges.

Figure 3. Powder Measure Exploded Drawing



- Some users find a better feel and more consistent handle throw by “choking up” on the Arm Casting (010631-015) as opposed to using the Knob (CT1010-021).
- If a coarse grain of powder shears, back up a very small amount and clear the cutoff.
- Visually inspect the cases for unintended double charges by inspecting them in a loading block.
- It is important to remember that charge volumes can vary from day to day, depending on temperature, humidity, static, and the type of powder used. For cases of the same caliber, it is best to verify the powder’s weight and volume in the empty cartridge, at least at the start of the day’s handloading

5.0 MAINTENANCE

- Assure the Locknut (010631-021) stays tight to the Cross Bolt (010631-026) as the powder should never accumulate between the machined Powder Measure surfaces.
- It is not necessary to remove your Powder Measure from the bench in order to empty the Hopper (010631-025). Lift the handle 90°, remove the Charge Bar (010631-024), set the powder can under the opening in the Handle, and lower the Handle. Powder will drain from the hopper.

6.0 ORDERING INFORMATION

Order Number	Description
010631	Bench Rest Powder Measure
017941	Bench Rest Powder Measure Stand (optional)

To find a Reseller, go to forsterproducts.com and click **Distributors**. If your distributor cannot supply you, or if you need parts, please contact Forster Products directly by email, phone, or fax.

WARRANTY

All Forster Products are warranted against defects in materials and workmanship for the life of the product. Parts excluded from the warranty are those that, by nature of their function, are subject to normal wear (such as springs, pins, etc.) or that have been altered, abused, or neglected. If the product is deemed defective by workmanship or materials, it will be repaired, reconditioned or replaced (at Forster’s option). This warranty supersedes all other warranties for Forster Products, whether written or oral.