



REDNECK HUNTING BLIND CURTAIN SYSTEM INSTALLATION INSTRUCTIONS

STEP 1: Remove all parts from the packaging and familiarize yourself with all the parts required. Begin by installing the supplied "peel & stick" Velcro pieces to the inside of the window as illustrated in Figure 10.1 & 11.1 . Use the supplied Alcohol wipes to clean the window. The window must be clean and free of dust and grease.

NOTE: Your blind may not be equipped with vertical corner windows. If that is the case, disregard Figure 10.1 .

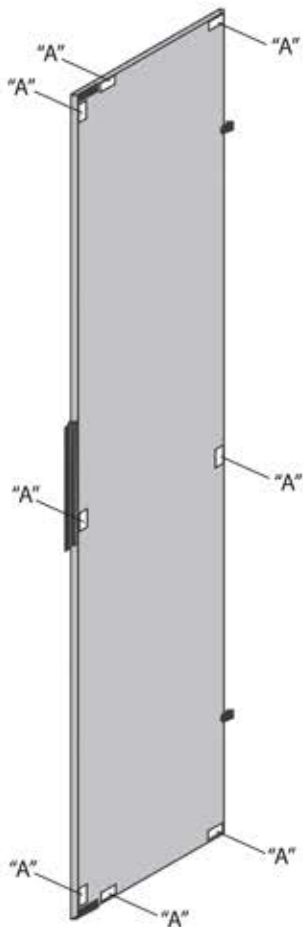


Figure 10.1

Vertical corner window. There are (8) eight pieces of Velcro required per window. All Velcro pieces are the same size, 3/4" X 1" (A).

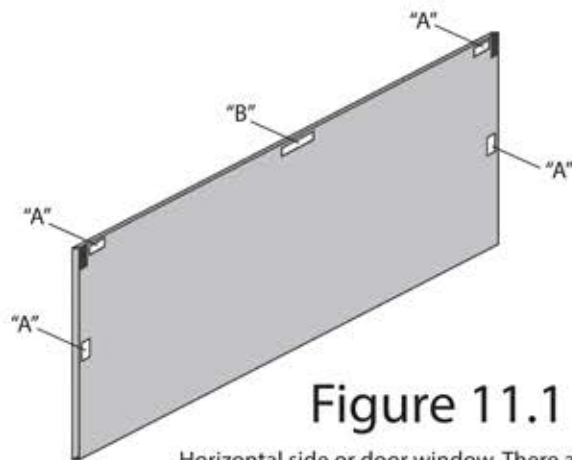


Figure 11.1

Horizontal side or door window. There are (5) five pieces of Velcro required per window. All Velcro pieces are the same size, 3/4" X 1" (A), with the exception of the top middle Velcro piece. It is size, 3/4" X 3" (B).

STEP 2: Locate the appropriate camo curtain for each window and apply to the corresponding Velcro pieces. The camo curtain will be closest to the glass when installed.

Should you have any questions about the assembly, installation or use of this product, or any other Redneck Outdoor product, please call one of our customer service representatives toll free at 877-523-9986.