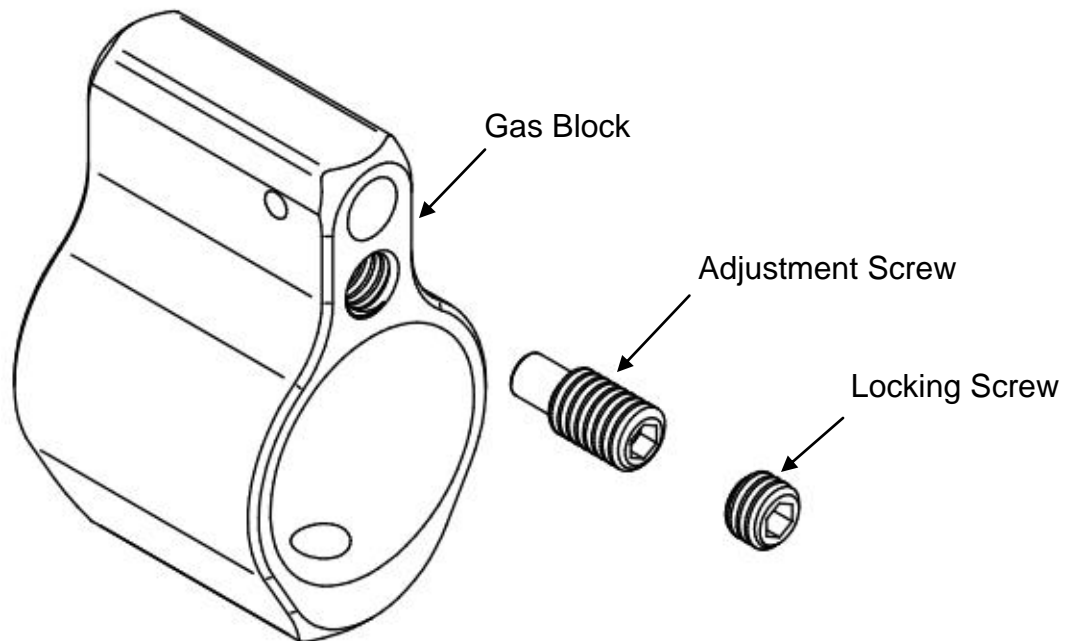


Wilson Combat Adjustable Gas Block Instructions



The Wilson Combat adjustable gas blocks are designed so that the shooter is able to restrict the gas flow and slow the cycling of the rifle. This achieves a lighter recoil impulse or corrects an overdriven rifle (such as with a fulltime suppressor). A full wide open gas block will have the locking screw flush with the front of the gas block after stopping it against the adjustment screw.

To adjust the level of restriction:

1. Remove the locking screw and set it aside.
2. Screw down the adjustment screw (clockwise) until it is fully closed. Unscrew it (counterclockwise) one full turn.
3. Holding the rifle loosely with an empty magazine, fire a round and check to see that the bolt locks back.
4. If it does not, unscrew the adjustment screw incrementally until the rifle consistently locks back on an empty magazine.
5. Screw in the locking screw until it stops turning, but do not force it. Forcing the locking screw down can cause the adjustment screw to move.